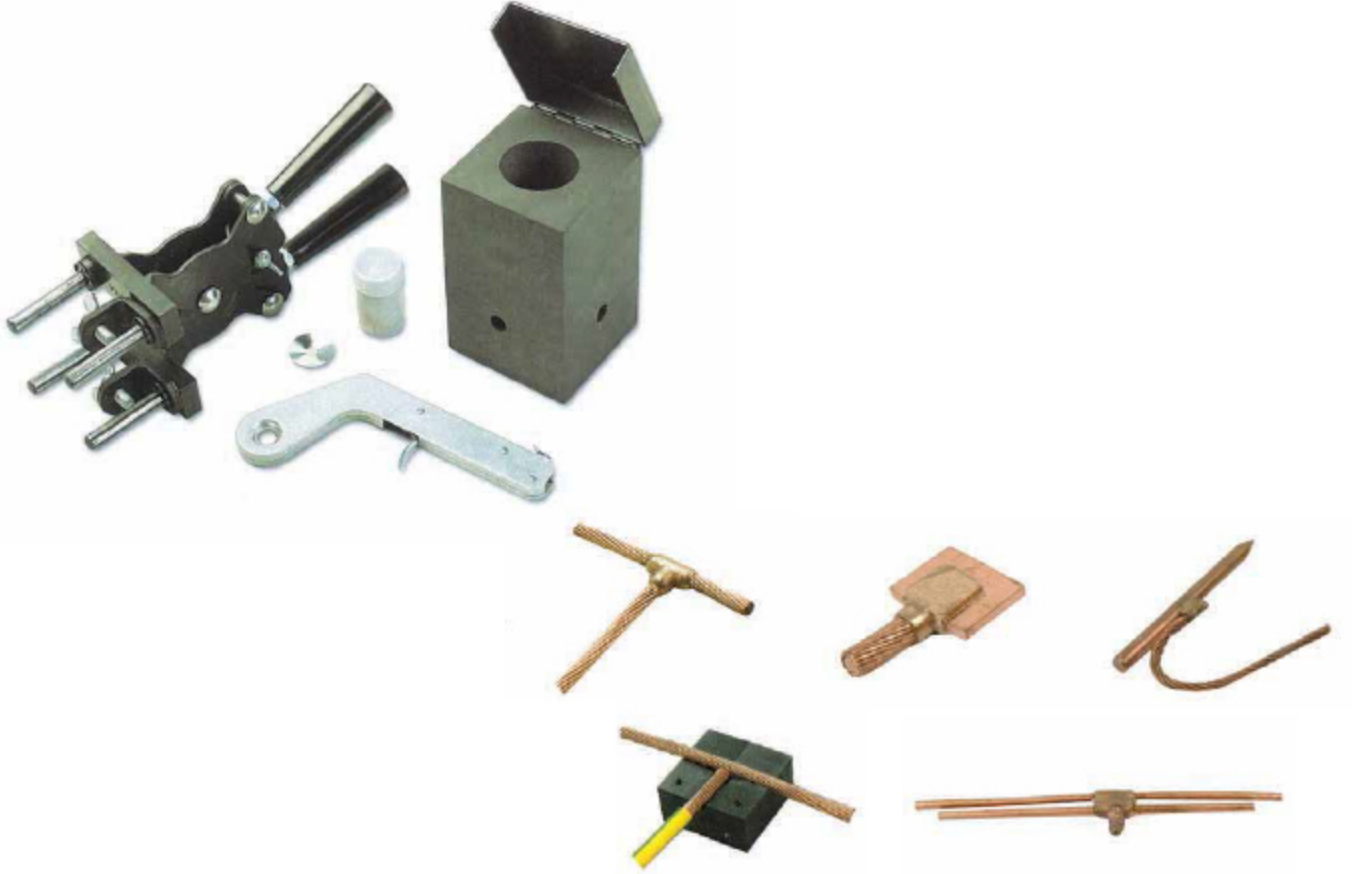


# NOVA

PARATONER TOPRAKLAMA  
İNŞAAT VE SAN. TİC. LTD. ŞTİ.

Ürünler / Products



**Termokaynak**  
Exothermic Welding Furseweld - Cadweld

## Termokaynak Bağlantısının Avantajları

- Harici ısı kaynağı gerektirmez.
- Malzeme bulunduğu yerde, birkaç saniyede kaynaklanır.
- Bunun için sadece 15-20 cm boyutlarında bir pota ve kaynak tozu yeterlidir.
- Kaynak bağlantısı moleküler olarak gerçekleşir.

### **Bu nedenle;**

- Mekanik bağlantının aksine kaynak noktasında gerilim düşümü olmaz.
- Aşırı akım taşıma kapasitesi en az, kaynaklanan iletken kadardır.
- Mekanik bağlantılarda görülen, zamanla gevşeme ve korozyon görünmez.

### **UNUTMAYIN!!!**

Mekanik bağlantılarla sabitlemenin zamanla korozyon etkisiyle sakıncaları olabilir. En modern ve sorunsuz çözüm için başvurulabilecek en geçerli yol termokaynaktır.

## Advantages of Exothermic Welding Connections

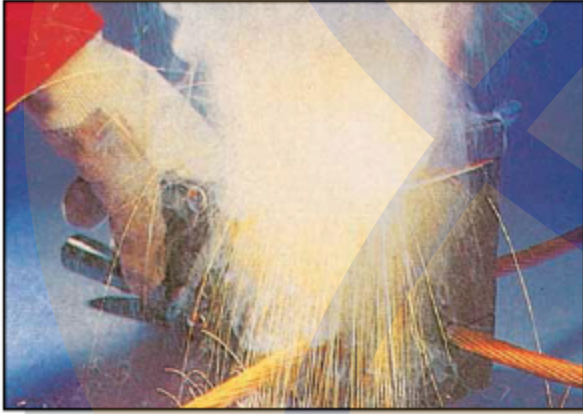
- It isn't needed an external heat source.
- Material can be welded in a couple of seconds.
- A mould with dimensions 15-20 cm and the welding powder are enough for welding.
- Welding connections materialize molecular.

### **For this reason;**

- There won't be a voltage drop at the welding point to the contrary mechanical connections.
- The over current carrying capacity is equal to the conductor which welded less.
- There won't be a slackness or corrosion likewise mechanical connections.

### **DON'T FORGET!!!**

Fixing with clips may have drawbacks because of corrosion effect. Exothermic welding is the most effective way for a modern and a problem-free solution.



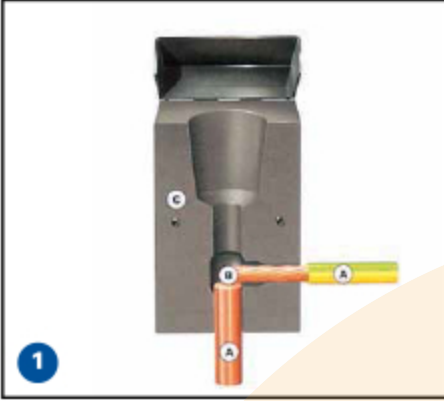
Dışarıdan bir ısı kaynağı gücüne ihtiyaç duymadan, yüksek kaliteli elektriksel bağlantı oluşturmanın bağımsız ve basit metodu. Bağlantılar, toz halinde bakır oksit ve alüminyumun yüksek ısı derecesinde reaksiyonu kullanılarak yapılır.

*A simple, self-contained method of forming high quality electrical connections which requires no external power or heat source. Connections are made using the high temperature reaction of powdered copper oxide and aluminium.*

Birçok Furseweld bağlantısı, birleştirilen iletkenlerin en az iki katı bir alana ve mevcut taşıma kapasitesine eşit veya daha fazla bir taşıma kapasitesine sahiptir. Paslanma direnci, yüksek oranda bakır ihtiva etmesi nedeniyle oldukça fazladır.

*Most Furseweld connections have at least twice the cross-sectional area of the conductors being joined, and an equivalent or greater current carrying capacity. Corrosions resistance is exceptional owing to the very high copper content (>90%).*

## Termokaynak Nasıl Yapılır? / How It Works

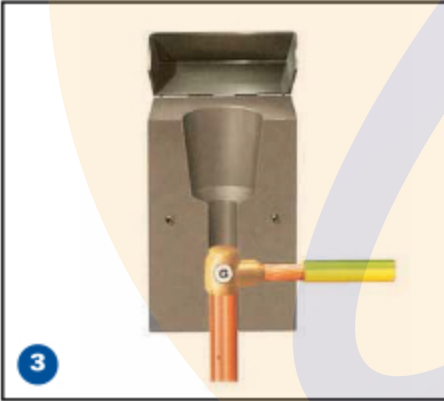
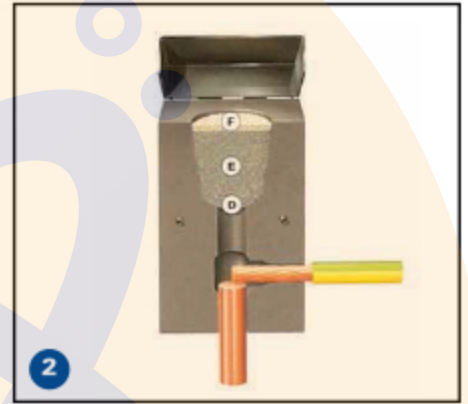


1- Potanın kuru ve temiz olduğundan emin olduktan sonra yüzeyleri temizlenmiş iletkenleri kalıbın içine yerleştirin ve potayı, potapensesi ile birleştirin.

*Position the conductors in the mould after making sure that mould is dry and clean, than close the mould with handle clamp.*

2- Potanın tabanına metal tutma diskini yerleştirin. Tozunu hazneye boşaltın ve üzerine başlatma tozunu serpiştirin. Pota kapağını kapatın. Özel çakmağı ile başlatma tozunu tutuşturun. Bu işlem egzotermik reaksiyonla sonuçlanarak şerit tozu, erimiş bakır alaşıma çevirir.

*Place the metal retaining disc in the bottom of the crucible. Pour the powder into the crucible and spread some starting powder onto the mould edge. Close the mould cap. Ignite starting powder with a spark gun. The result of exothermic reaction converts the weld powder into molten copper alloy.*

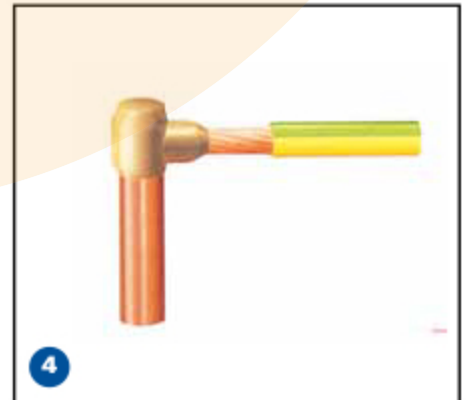


3- Erimiş bakır alaşımı metal tutma diskini eritir ve iletkenlerin kısmen eridiği kaynak kalıbı içine akar. Tepkime kalıbın içinde güvenli biçimde gerçekleşir.

*The molten copper alloy melts the retaining disc and flows into the weld cavity where it partially melts the conductors. The reaction takes place safely inside the mould.*

4- Erimiş bakır alaşımı, soğuyuncaya kadar potada bekletilir. Termokaynak işlemi tamamlandıktan sonra kalıp içi sonraki kullanım için temizlik fırçası ile temizlenir.

*The molten copper alloy cools to leave a fusion weld. After the exothermic reaction, inside of the mould should be cleaned with a cleaning brush for further use.*



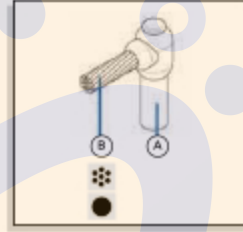




Termokaynak yapımı için gerekli malzeme seçimini yaparken öncelikle sayfa 157 ve 158' den termokaynak bağlantı tipi seçilir. Her bağlantı şeklinin altında o bağlantı için gerekli malzemelerin tablosunun bulunduğu sayfa numarası bulunmaktadır. Bu tablodan bağlantı için gerekli malzemeler kolaylıkla seçilebilir.

Use the "Exothermic welding connection selector" on pages 157 and 158 to choose your required joint type. Find the required conductor sizes.

Kablo Topraklama Çubuğuna  Cable to Earth Rod					
KE1					
mm	mmxmm	Kaynak Tozu Ord. No. Welding Powder	Pota / Mould Ord. No.	Pota Pensesi Ord. No. Handle Clamp	Pota Tipi Mould Type
(A)	(B)				
12.7	16*	65P10	KE1-4-12716	HCPK4	
12.7	25	65P10	KE1-4-12725	HCPK4	
12.7	35	65P10	KE1-4-12735	HCPK4	
12.7	50	65P10	KE1-4-12750	HCPK4	
12.7	8 mm Ø	65P10	KE1-4-1278SC	HCPK4	
12.7	70	90P10	KE1-4-12770	HCPK4	
12.7	95	90P10	KE1-4-12795	HCPK4	
12.7	120	65P10	KE1-4-127120	HCPK4	
14.2	16*	65P10	KE1-4-14216	HCPK4	
14.2	25	65P10	KE1-4-14225	HCPK4	
14.2	35	90P10	KE1-4-14235	HCPK4	
14.2	50	90P10	KE1-4-14250	HCPK4	
14.2	8 mm Ø	90P10	KE1-4-1428SC	HCPK4	
			KE1-4-14270	HCPK4	



Her bağlantı için ayrı bir kaynak tozuna ihtiyaç vardır.

A powder cartridge is required for each joint to be made.



Bir pota ile ortalama 75 adet termokaynak bağlantısı yapılabilir.

A single mould is capable of producing on average 75 joints.



Termokaynak pensesi potayı sabitlemek için kullanılır.

The handle clamp is used for fixing the mould



16 mm<sup>2</sup>'den küçük kesitli iletkenlerin bağlantısı için mini pota ve mini pense kullanılır.

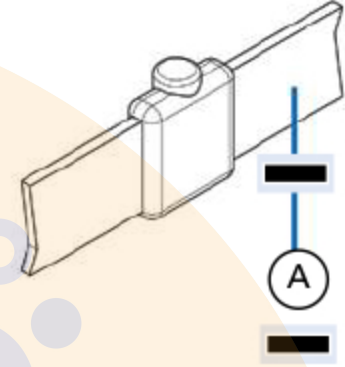
Sleeves are required when joining conductors smaller than 16 mm<sup>2</sup>





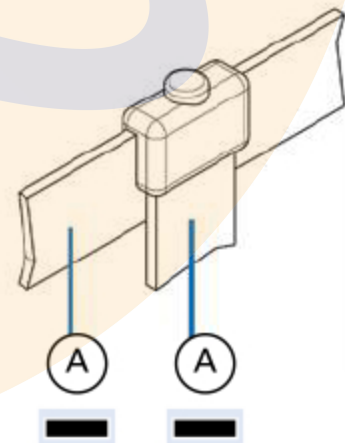
## BB1 - Baradan Baraya / Bar to Bar

mmxmm İletken Conductor	Kaynak Tozu Ord. No. Welding Powder	Pota / Mould Ord. No.	Pota Pensesi Ord. No. Handle Clamp	Pota Tipi Mould Type
(A)				
20 x 3	45P10	BB1-203	HCPK4	C
25 x 3	65P10	BB1-253	HCPK4	C
25 x 4	90P10	BB1-254	HCPK4	C
25 x 6	150P10	BB1-256	HCPK4	C
30 x 2	65P10	BB1-302	HCPK4	C
30 x 3	90P10	BB1-303	HCPK4	C
30 x 4	115P10	BB1-304	HCPK4	C
30 x 5	115P10	BB1-305	HCPK4	C
31 x 3	90P10	BB1-313	HCPK4	C
31 x 6	150P10	BB1-316	HCPK4	C
38 x 3	115P10	BB1-383	HCPK4	C
38 x 5	150P10	BB1-385	HCPK4	C
38 x 6	200P10	BB1-386	HCPK4	C
40 x 3	115P10	BB1-403	HCPK4	C
40 x 4	150P10	BB1-404	HCPK4	C
40 x 5	150P10	BB1-405	HCPK4	C
40 x 6	200P10	BB1-406	HCPK4	C
50 x 3	150P10	BB1-503	HCPK4	C
50 x 4	200P10	BB1-504	HCPK4	C
50 x 5	200P10	BB1-505	HCPK4	C
50 x 6	250P10	BB1-506	HCPK4	C



## BB3 - Baradan Baraya / Bar to Bar

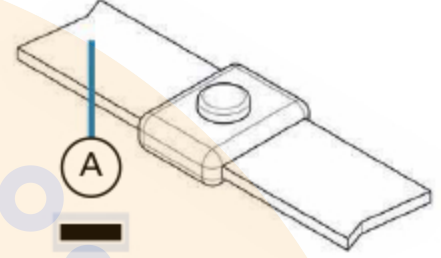
mmxmm İletken Conductor	Kaynak Tozu Ord. No. Welding Powder	Pota / Mould Ord. No.	Pota Pensesi Ord. No. Handle Clamp	Pota Tipi Mould Type
(A)				
20 x 3	65P10	BB3-203	HCPK4	C
25 x 3	65P10	BB3-253	HCPK4	C
25 x 4	90P10	BB3-254	HCPK4	C
25 x 6	150P10	BB3-256	HCPK4	C
30 x 2	65P10	BB3-302	HCPK4	C
30 x 3	90P10	BB3-304	HCPK4	C
30 x 4	115P10	BB3-304	HCPK4	C
30 x 5	115P10	BB3-305	HCPK4	C
31 x 3	115P10	BB3-313	HCPK4	C
31 x 6	200P10	BB3-316	HCPK4	C
38 x 3	115P10	BB3-383	HCPK4	C
38 x 5	150P10	BB3-385	HCPK4	C
38 x 6	200P10	BB3-386	HCPK4	C
40 x 3	115P10	BB3-403	HCPK4	C
40 x 4	150P10	BB3-404	HCPK4	C
40 x 5	150P10	BB3-405	HCPK4	C
40 x 6	200P10	BB3-406	HCPK4	C
50 x 3	200P10	BB3-503	HCPK4	C
50 x 4	200P10	BB3-504	HCPK4	D
50 x 5	200P10	BB3-505	HCPK4	D
50 x 6	250P10	BB3-506	HCPK4	D





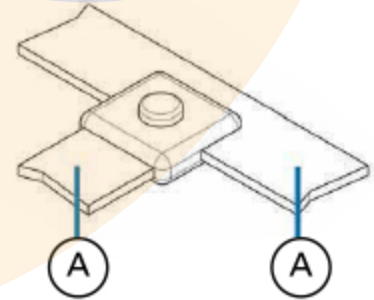
## BB7 - Baradan Baraya / Bar to Bar

mmxmm İletken Conductor	Kaynak Tozu Ord. No. Welding Powder	Pota / Mould Ord. No.	Pota Pensesi Ord. No. Handle Clamp	Pota Tipi Mould Type
(A)				
20 x 3	45P10	BB7-203	HCPK4	C
25 x 3	65P10	BB7-253	HCPK4	C
25 x 4	90P10	BB7-254	HCPK4	C
25 x 6	115P10	BB7-256	HCPK4	C
30 x 2	65P10	BB7-302	HCPK4	C
30 x 3	65P10	BB7-303	HCPK4	C
30 x 4	90P10	BB7-304	HCPK4	C
30 x 5	115P10	BB7-305	HCPK4	C
31 x 3	65P10	BB7-313	HCPK4	C
31 x 6	150P10	BB7-316	HCPK4	C
38 x 3	90P10	BB7-383	HCPK4	C
38 x 5	150P10	BB7-385	HCPK4	C
38 x 6	200P10	BB7-386	HCPK4	C
40 x 3	90P10	BB7-403	HCPK4	C
40 x 4	115P10	BB7-404	HCPK4	C
40 x 5	150P10	BB7-405	HCPK4	C
40 x 6	200P10	BB7-406	HCPK4	C
50 x 3	150P10	BB7-503	HCPK5	C
50 x 4	200P10	BB7-504	HCPK5	C
50 x 5	200P10	BB7-505	HCPK5	C
50 x 6	250P10	BB7-506	HCPK5	C



## BB14 - Baradan Baraya / Bar to Bar

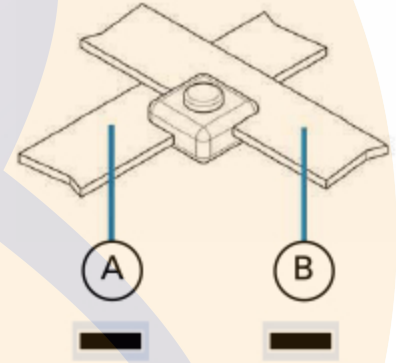
mmxmm İletken Conductor	Kaynak Tozu Ord. No. Welding Powder	Pota / Mould Ord. No.	Pota Pensesi Ord. No. Handle Clamp	Pota Tipi Mould Type
(A)				
20 x 3	45P10	BB14-203203	HCPK4	C
25 x 3	65P10	BB14-253253	HCPK4	C
25 x 4	90P10	BB14-254254	HCPK4	C
25 x 6	115P10	BB14-256256	HCPK4	C
30 x 2	65P10	BB14-302302	HCPK4	C
30 x 3	65P10	BB14-304304	HCPK4	C
30 x 4	90P10	BB14-304304	HCPK4	C
30 x 5	115P10	BB14-305305	HCPK4	C
31 x 3	90P10	BB14-313313	HCPK4	C
31 x 6	150P10	BB14-316316	HCPK4	C
38 x 3	90P10	BB14-383383	HCPK4	C
38 x 5	150P10	BB14-385385	HCPK4	C
38 x 6	200P10	BB14-386386	HCPK4	C
40 x 3	90P10	BB14-403-403	HCPK4	C
40 x 4	115P10	BB14-404404	HCPK4	C
40 x 5	150P10	BB14-405405	HCPK4	C
40 x 6	200P10	BB14-406406	HCPK4	C
50 x 3	150P10	BB14-503503	HCPK5	C
50 x 4	200P10	BB14-504504	HCPK5	C
50 x 5	200P10	BB14-505505	HCPK5	D
50 x 6	250P10	BB14-5065506	HCPK5	D





## BB41 - Baradan Baraya / Bar to Bar

mmxmm iletken Conductor <b>(A)</b>	mmxmm iletken Conductor <b>(B)</b>	Kaynak Tozu Ord. No. Welding Powder 	Pota / Mould Ord. No. 	Pota Pensesi Ord. No. Handle Clamp 	Pota Tipi Mould Type 
20 x 3	20 x 3	65P10	BB41-203	HCPK4	C
25 x 3	25 x 3	65P10	BB41-253	HCPK4	C
25 x 4	25 x 4	90P10	BB41-254	HCPK4	C
25 x 6	25 x 6	115P10	BB41-256	HCPK4	C
30 x 2	30 x 2	65P10	BB41-302	HCPK4	C
30 x 3	30 x 3	115P10	BB41-304	HCPK4	C
30 x 4	30 x 4	115P10	BB41-304	HCPK4	C
30 x 5	30 x 5	115P10	BB41-305	HCPK4	C
31 x 3	31 x 3	115P10	BB41-313	HCPK4	C
31 x 6	31 x 6	115P10	BB41-316	HCPK4	C
38 x 3	38 x 3	150P10	BB41-383	HCPK4	C
38 x 5	38 x 5	150P10	BB41-385	HCPK4	C
38 x 6	38 x 6	200P10	BB41-386	HCPK4	C
40 x 3	40 x 3	200P10	BB41-403	HCPK4	C
40 x 4	40 x 4	200P10	BB41-404	HCPK4	C
40 x 5	40 x 5	200P10	BB41-405	HCPK4	C
40 x 6	40 x 6	200P10	BB41-406	HCPK4	C
50 x 3	50 x 3	200P10	BB41-503	HCPK5	C
50 x 4	50 x 4	200P10	BB41-504	HCPK5	C
50 x 5	50 x 5	200P10	BB41-505	HCPK5	C
50 x 6	50 x 6	200P10	BB41-506	HCPK5	C

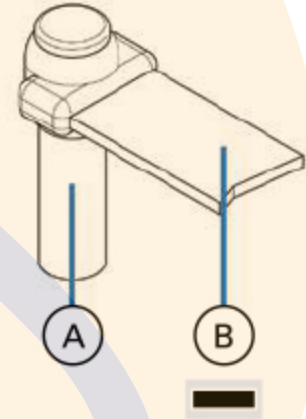






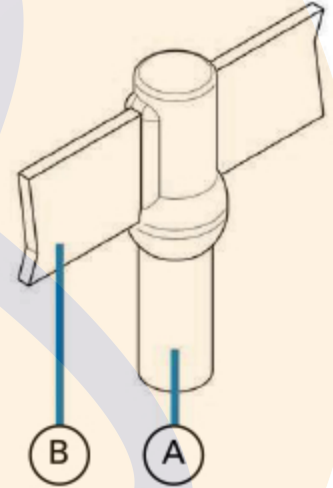
## BE1 - Baradan Topraklama Elektroduna / Bar to Earth Rod

mm İletken Conductor (A)	mmxmm İletken Conductor (B)	Kaynak Tozu Ord. No. Welding Powder	Pota / Mould Ord. No.	Pota Pensesi Ord. No. Handle Clamp	Pota Tipi Mould Type (C)
16	20x3	90P10	BE1-16203	HCPK4	C
16	25x3	90P10	BE1-16253	HCPK4	C
16	25x4	115P10	BE1-16254	HCPK4	C
16	30x3	115P10	BE1-16303	HCPK4	C
16	30x4	150P10	BE1-16304	HCPK4	C
16	30x5	150P10	BE1-16305	HCPK4	C
16	40x3	150P10	BE1-16403	HCPK4	C
16	40x4	150P10	BE1-16404	HCPK4	C
16	40x5	150P10	BE1-16405	HCPK4	C
16	50x3	150P10	BE1-16503	HCPK4	C
16	50x4	200P10	BE1-16504	HCPK4	C
16	50x5	200P10	BE1-16505	HCPK4	C
18	20x3	115P10	BE1-18203	HCPK4	C
18	25x3	150P10	BE1-18253	HCPK4	C
18	25x4	150P10	BE1-18254	HCPK4	C
18	30x3	150P10	BE1-18303	HCPK4	C
18	30x4	150P10	BE1-18304	HCPK4	C
18	30x5	200P10	BE1-18305	HCPK4	C
18	40x3	200P10	BE1-18403	HCPK4	C
18	40x4	200P10	BE1-18404	HCPK4	C
18	40x5	200P10	BE1-18405	HCPK4	C
18	50x3	250P10	BE1-18503	HCPK4	C
18	50x4	250P10	BE1-18504	HCPK4	C
18	50x5	250P10	BE1-18505	HCPK4	C
20	20x3	150P10	BE1-20203	HCPK4	C
20	25x3	150P10	BE1-20253	HCPK4	C
20	25x4	200P10	BE1-20254	HCPK4	C
20	30x3	200P10	BE1-20303	HCPK4	C
20	30x4	250P10	BE1-20304	HCPK4	C
20	30x5	250P10	BE1-20305	HCPK4	C
20	40x3	250P10	BE1-20403	HCPK4	C
20	40x4	250P10	BE1-20404	HCPK4	C
20	40x5	250P10	BE1-20405	HCPK4	C
20	50x3	2x150P10	BE1-20503	HCPK4	C
20	50x4	2x150P10	BE1-20504	HCPK4	C
20	50x5	2x150P10	BE1-20505	HCPK4	C



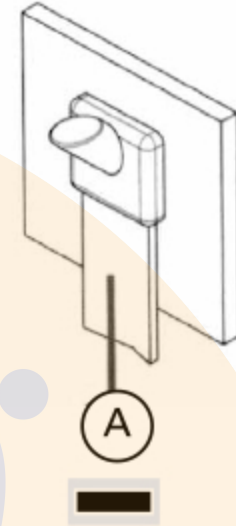
## BE2 - Baradan Topraklama Elektroduna / Bar to Earth Rod

mm İletken Conductor <b>(A)</b>	mmxmm İletken Conductor <b>(B)</b>	Kaynak Tozu Ord. No. Welding Powder 	Pota / Mould Ord. No. 	Pota Pensesi Ord. No. Handle Clamp 	Pota Tipi Mould Type 
16	20x3	90P10	BE2-16203	HCPK4	C
16	25x3	90P10	BE2-16253	HCPK4	C
16	25x4	115P10	BE2-16254	HCPK4	C
16	30x3	115P10	BE2-16303	HCPK4	C
16	30x4	150P10	BE2-16304	HCPK4	C
16	30x5	150P10	BE2-16305	HCPK4	C
16	40x3	150P10	BE2-16403	HCPK4	C
16	40x4	150P10	BE2-16404	HCPK4	C
16	40x5	150P10	BE2-16405	HCPK4	C
16	50x3	150P10	BE2-16503	HCPK4	C
16	50x4	200P10	BE2-16504	HCPK4	C
16	50x5	200P10	BE2-16506	HCPK4	C
18	20x3	115P10	BE2-18203	HCPK4	C
18	25x3	150P10	BE2-18253	HCPK4	C
18	25x4	150P10	BE2-18254	HCPK4	C
18	30x3	150P10	BE2-18303	HCPK4	C
18	30x4	150P10	BE2-18304	HCPK4	C
18	30x5	200P10	BE2-18305	HCPK4	C
18	40x3	200P10	BE2-18403	HCPK4	C
18	40x4	200P10	BE2-18404	HCPK4	C
18	40x5	200P10	BE2-18405	HCPK4	C
18	50x3	250P10	BE2-18503	HCPK4	C
18	50x4	250P10	BE2-18504	HCPK4	C
18	50x5	250P10	BE2-18506	HCPK4	C
20	20x3	150P10	BE2-20203	HCPK4	C
20	25x3	150P10	BE2-20253	HCPK4	C
20	25x4	200P10	BE2-20254	HCPK4	C
20	30x3	200P10	BE2-20303	HCPK4	C
20	30x4	250P10	BE2-20304	HCPK4	C
20	30x5	250P10	BE2-20305	HCPK4	C
20	40x3	250P10	BE2-20403	HCPK4	C
20	40x4	250P10	BE2-20404	HCPK4	C
20	40x5	250P10	BE2-20405	HCPK4	C
20	50x3	2x150P10	BE2-20503	HCPK4	C
20	50x4	2x150P10	BE2-20504	HCPK4	C
20	50x5	2x150P10	BE2-20506	HCPK4	C

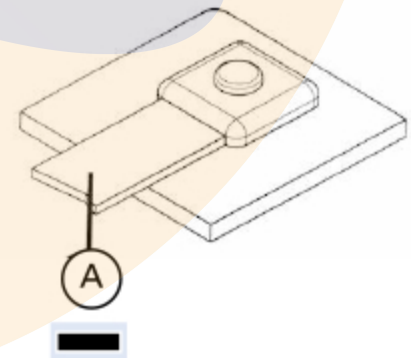


**BY1 - Baradan Çelik Yüze / Bar to Steel Surface**

mmxmm İletken Conductor	Kaynak Tozu Ord. No. Welding Powder	Pota / Mould Ord. No.	Pota Pensesi Ord. No. Handle Clamp	Pota Tipi Mould Type
(A)				
20x3	65P10	BY1-203	HCPK4	C
25x3	90P10	BY1-253	HCPK4	C
25x4	90P10	BY1-254	HCPK4	C
25x6	150P10	BY1-256	HCPK4	C
30x2	90P10	BY1-302	HCPK4	C
30x3	90P10	BY1-303	HCPK4	C
30x4	115P10	BY1-304	HCPK4	C
30x5	150P10	BY1-305	HCPK4	C
31x3	90P10	BY1-313	HCPK4	C
31x6	200P10	BY1-316	HCPK4	C
38x3	150P10	BY1-383	HCPK4	C
38x5	200P10	BY1-385	HCPK4	C
38x6	250P10	BY1-386	HCPK4	C
40x3	150P10	BY1-403	HCPK4	C
40x4	200P10	BY1-404	HCPK4	C
40x5	200P10	BY1-405	HCPK4	C
40x6	250P10	BY1-406	HCPK4	C
50x3	200P10	BY1-503	HCPK4	C
50x4	250P10	BY1-504	HCPK4	C
50x5	250P10	BY1-505	HCPK4	C
50x6	2x150P10	BY1-506	HCPK4	C

**BY2 - Baradan Çelik Yüze / Bar to Steel Surface**

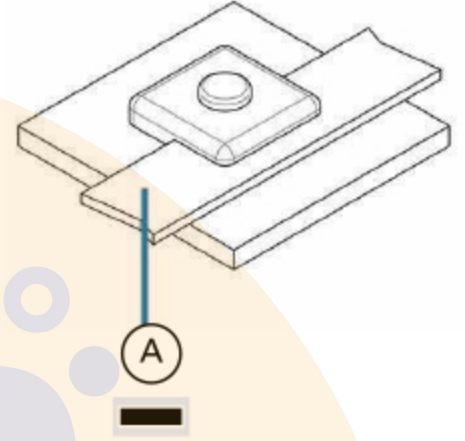
mmxmm İletken Conductor	Kaynak Tozu Ord. No. Welding Powder	Pota / Mould Ord. No.	Pota Pensesi Ord. No. Handle Clamp	Pota Tipi Mould Type
(A)				
20x3	90P10	BY2-203	HCPK4	C
25x3	90P10	BY2-253	HCPK4	C
25x4	90P10	BY2-254	HCPK4	C
25x6	150P10	BY2-256	HCPK4	C
30x2	115P10	BY2-302	HCPK4	C
30x3	115P10	BY2-303	HCPK4	C
30x4	150P10	BY2-304	HCPK4	C
30x5	200P10	BY2-305	HCPK4	C
31x3	115P10	BY2-313	HCPK4	C
31x6	200P10	BY2-316	HCPK4	C
38x3	150P10	BY2-383	HCPK4	C
38x5	200P10	BY2-385	HCPK4	C
38x6	200P10	BY2-386	HCPK4	C
40x3	115P10	BY2-403	HCPK4	C
40x4	200P10	BY2-404	HCPK4	C
40x5	200P10	BY2-405	HCPK4	C
40x6	250P10	BY2-406	HCPK4	C
50x3	200P10	BY2-503	HCPK4	C
50x4	2x150P10	BY2-504	HCPK4	C
50x5	2x150P10	BY2-505	HCPK4	C
50x6	2x150P10	BY2-506	HCPK4	C





**BY3 - Baradan Çelik Yüze / Bar to Steel Surface**

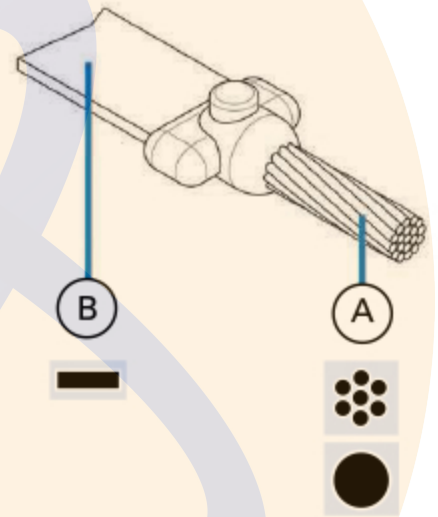
mmxmm İletken Conductor	Kaynak Tozu Ord. No. Welding Powder	Pota / Mould Ord. No.	Pota Pensesi Ord. No. Handle Clamp	Pota Tipi Mould Type
(A)				
20x3	65P10	BY3-203	HCPK4	C
20x3	90P10	BY3-203	HCPK4	C
25x3	115P10	BY3-253	HCPK4	C
25x3	115P10	BY3-254	HCPK4	C
25x4	150P10	BY3-256	HCPK4	C
25x6	115P10	BY3-302	HCPK4	C
30x2	115P10	BY3-303	HCPK4	C
30x3	150P10	BY3-305	HCPK4	C
30x4	200P10	BY3-313	HCPK4	C
30x5	115P10	BY3-313	HCPK4	C
31x3	200P10	BY3-316	HCPK4	C
38x3	150P10	BY3-383	HCPK4	C
38x5	200P10	BY3-385	HCPK4	C
38x6	250P10	BY3-386	HCPK4	C
40x3	150P10	BY3-403	HCPK4	C
40x4	200P10	BY3-404	HCPK4	C
40x5	250P10	BY3-405	HCPK4	C
40x6	250P10	BY3-406	HCPK4	C
50x3	250P10	BY3-503	HCPK4	C
50x4	250P10	BY3-504	HCPK4	C
50x5	250P10	BY3-505	HCPK4	C
50x6	250P10	BY3-506	HCPK4	C





## KB1 - Kablodan Baraya / Cable to Bar

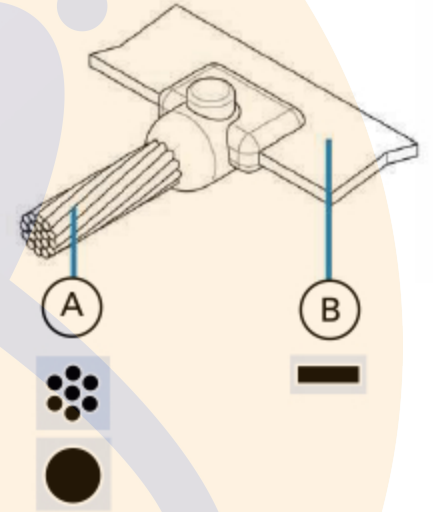
mm <sup>2</sup> iletken Conductor	mmxmm iletken Conductor	Kaynak Tozu Ord. No. Welding Powder	Pota / Mould Ord. No.	Pota Pensesi Ord. No. Handle Clamp	Pota Tipi Mould Type
(A)	(B)				
16	20 x 3	45P10	KB1-16203	HCPK4	C
16	25 x 3	45P10	KB1-16253	HCPK4	C
25	20 x 3	32P10	KB1-25203	HCPK4	C
25	25 x 3	45P10	KB1-25253	HCPK4	C
35	20 x 3	45P10	KB1-35203	HCPK4	C
35	25 x 3	45P10	KB1-35253	HCPK4	C
50	20 x 3	45P10	KB1-50203	HCPK4	C
50	25 x 3	65P10	KB1-50253	HCPK4	C
8mmØ	20 x 3	45P10	KB1-8SC203	HCPK4	C
8mmØ	25 x 3	65P10	KB1-8SC253	HCPK4	C
70	25 x 3	65P10	KB1-70253	HCPK4	C
70	25 x 4	65P10	KB1-70254	HCPK4	C
70	25 x 6	65P10	KB1-70256	HCPK4	C
10mmØ	25 x 3	65P10	KB1-10SC253	HCPK4	C
10mmØ	25 x 4	65P10	KB1-10SC254	HCPK4	C
10mmØ	25 x 6	65P10	KB1-10SC256	HCPK4	C
95	25 x 4	90P10	KB1-95254	HCPK4	C
95	25 x 6	90P10	KB1-95256	HCPK4	C
120	25 x 6	90P10	KB1-120256	HCPK4	C
120	30 x 5	115P10	KB1-120305	HCPK4	C
150	25 x 6	115P10	KB1-150256	HCPK4	C
150	30 x 5	115P10	KB1-150305	HCPK4	C
150	40 x 5	150P10	KB1-150405	HCPK4	C
185	31 x 6	150P10	KB1-185316	HCPK4	C
185	40 x 5	150P10	KB1-185405	HCPK4	C
185	50 x 5	200P10	KB1-185505	HCPK5	D
240	50 x 5	200P10	KB1-240505	HCPK5	D
240	50 x 6	2 x 150P10	KB1-240506	HCPK5	D
300	50 x 6	2 x 150P10	KB1-300506	HCPK5	D





**KB4 - Kablodan Baraya / Cable to Bar**

mm <sup>2</sup> iletken Conductor	mmxmm iletken Conductor	Kaynak Tozu Ord. No. Welding Powder	Pota / Mould Ord. No.	Pota Pensesi Ord. No. Handle Clamp	Pota Tipi Mould Type
(A)	(B)				
16	20 x 3	45P10	KB4-16203	HCPK4	C
16	25 x 3	45P10	KB4-16253	HCPK4	C
25	20 x 3	32P10	KB4-25203	HCPK4	C
25	25 x 3	32P10	KB4-25253	HCPK4	C
35	20 x 3	45P10	KB4-35203	HCPK4	C
35	25 x 3	45P10	KB4-35253	HCPK4	C
50	20 x 3	45P10	KB4-50203	HCPK4	C
50	25 x 3	45P10	KB4-50253	HCPK4	C
8mmØ	20 x 3	45P10	KB4-8SC203	HCPK4	C
8mmØ	25 x 3	45P10	KB4-8SC253	HCPK4	C
70	25 x 3	65P10	KB4-70253	HCPK4	C
70	25 x 4	65P10	KB4-70254	HCPK4	C
70	25 x 6	90P10	KB4-70256	HCPK4	C
10mmØ	25 x 3	65P10	KB4-10SC253	HCPK4	C
10mmØ	25 x 4	65P10	KB4-10SC254	HCPK4	C
10mmØ	25 x 6	90P10	KB4-10SC256	HCPK4	C
95	25 x 4	90P10	KB4-95254	HCPK4	C
95	25 x 6	115P10	KB4-95256	HCPK4	C
120	25 x 6	115P10	KB4-120256	HCPK4	C
120	30 x 5	115P10	KB4-120305	HCPK4	C
150	25 x 6	115P10	KB4-150256	HCPK4	C
150	30 x 5	115P10	KB4-150305	HCPK4	C
150	40 x 5	115P10	KB4-150405	HCPK4	C
185	31 x 6	150P10	KB4-185316	HCPK4	C
185	40 x 5	150P10	KB4-185405	HCPK4	C
185	50 x 5	150P10	KB4-185505	HCPK4	C
240	50 x 5	200P10	KB4-240505	HCPK4	D
240	50 x 6	250P10	KB4-240506	HCPK4	D
300	50 x 6	2 x 150P10	KB4-300506	HCPK5	D

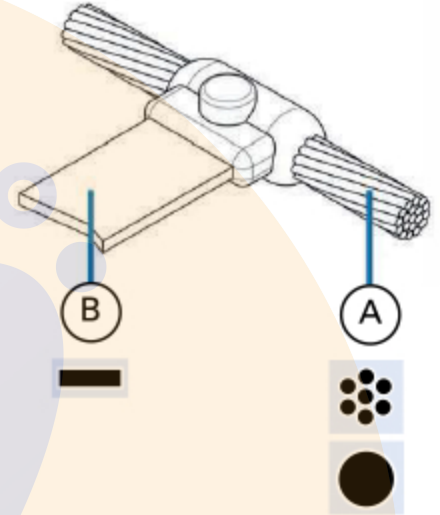






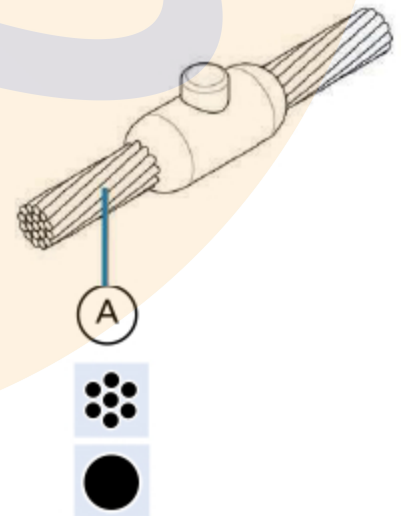
## KB5 - Kablodan Baraya / Cable to Bar

mm <sup>2</sup> İletken Conductor	mmxmm İletken Conductor	Kaynak Tozu Ord. No. Welding Powder	Pota / Mould Ord. No.	Pota Pensesi Ord. No. Handle Clamp	Pota Tipi Mould Type
(A)	(B)				
16	20 x 3	45P10	KB5-16203	HCPK4	C
16	25 x 3	65P10	KB5-16253	HCPK4	C
25	20 x 3	45P10	KB5-25203	HCPK4	C
25	25 x 3	65P10	KB5-25253	HCPK4	C
35	20 x 3	45P10	KB5-35203	HCPK4	C
35	25 x 3	65P10	KB5-35253	HCPK4	C
50	20 x 3	65P10	KB5-50203	HCPK4	C
50	25 x 3	65P10	KB5-50253	HCPK4	C
8mmØ	20 x 3	65P10	KB5-8SC203	HCPK4	C
8mmØ	25 x 3	65P10	KB5-8SC253	HCPK4	C
70	25 x 3	90P10	KB5-70253	HCPK4	C
70	25 x 4	115P10	KB5-70254	HCPK4	C
70	25 x 6	115P10	KB5-70256	HCPK4	C
10mmØ	25 x 3	115P10	KB5-10SC253	HCPK4	C
10mmØ	25 x 4	150P10	KB5-10SC254	HCPK4	C
10mmØ	25 x 6	150P10	KB5-10SC256	HCPK4	C
95	25 x 4	150P10	KB5-95254	HCPK4	C
95	25 x 6	150P10	KB5-95256	HCPK4	C
120	25 x 6	150P10	KB5-120256	HCPK4	C
120	30 x 5	200P10	KB5-120305	HCPK4	C
150	25 x 6	200P10	KB5-150256	HCPK4	C
150	30 x 5	200P10	KB5-150305	HCPK4	C
150	40 x 5	250P10	KB5-150405	HCPK4	C
185	31 x 6	250P10	KB5-185316	HCPK4	C
185	40 x 5	250P10	KB5-185405	HCPK4	C
185	50 x 5	2 x 150P10	KB5-185505	HCPK5	D
240	50 x 5	2 x 150P10	KB5-240505	HCPK5	D
240	50 x 6	2 x 150P10	KB5-240506	HCPK5	D
300	50 x 6	2 x 150P10	KB5-300506	HCPK5	D



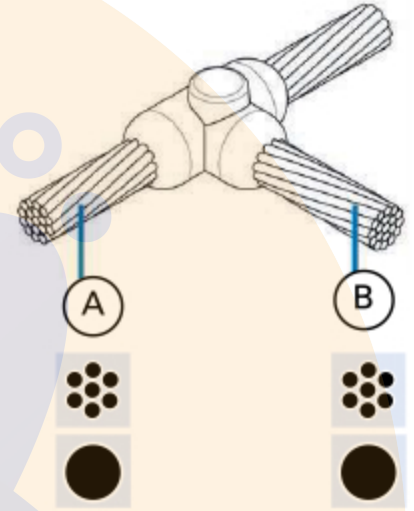
## KK1 - Kablodan Kabloya / Cable to Cable

mm <sup>2</sup> İletken Conductor	Kaynak Tozu Ord. No. Welding Powder	Pota / Mould Ord. No.	Pota Pensesi Ord. No. Handle Clamp	Pota Tipi Mould Type
(A)				
16	32P10	KK1-16	HCPK4	C
25	32P10	KK1-25	HCPK4	C
35	32P10	KK1-35	HCPK4	C
50	45P10	KK1-50	HCPK4	C
8mmØ	45P10	KK1-8SC	HCPK4	C
70	65P10	KK1-70	HCPK4	C
10mmØ	65P10	KK1-10SC	HCPK4	C
95	90P10	KK1-95	HCPK4	C
120	115P10	KK1-120	HCPK4	C
150	115P10	KK1-150	HCPK4	C
185	150P10	KK1-185	HCPK4	C
240	200P10	KK1-240	HCPK4	C
300	250P10	KK1-300	HCPK4	D
400	2 x 150P10	KK1-4500	HCPK5	D



## KK2 - Kablodan Kabloya / Cable to Cable

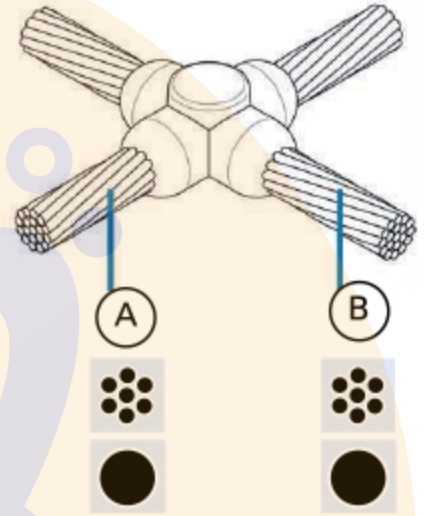
mm <sup>2</sup> İletken Conductor	mm <sup>2</sup> İletken Conductor	Kaynak Tozu Ord. No. Welding Powder	Pota / Mould Ord. No.	Pota Pensesi Ord. No. Handle Clamp	Pota Tipi Mould Type
(A)	(B)				
16	16	45P10	KK2-1616	HCPK4	C
25	25	45P10	KK2-2525	HCPK4	C
35	35	45P10	KK2-3535	HCPK4	C
35	25	45P10	KK2-3525	HCPK4	C
8mmØ	8mmØ	65P10	KK2-88SC	HCPK4	C
50	50	90P10	KK2-5050	HCPK4	C
10mmØ	35	65P10	KK2-5035	HCPK4	C
50	25	65P10	KK2-5025	HCPK4	C
50	10mmØ	90P10	KK2-1010SC	HCPK4	C
70	70	90P10	KK2-7070	HCPK4	C
70	50	90P10	KK2-7050	HCPK4	C
70	35	65P10	KK2-7035	HCPK4	C
70	25	65P10	KK2-7025	HCPK4	C
95	95	115P10	KK2-9595	HCPK4	C
95	70	90P10	KK2-9570	HCPK4	C
95	50	90P10	KK2-9550	HCPK4	C
95	35	90P10	KK2-9535	HCPK4	C
120	120	150P10	KK2-120120	HCPK4	C
120	95	150P10	KK2-12095	HCPK4	C
120	70	90P10	KK2-12070	HCPK4	C
120	50	90P10	KK2-12050	HCPK4	C
150	150	200P10	KK2-150150	HCPK4	C
150	120	150P10	KK2-150120	HCPK4	C
150	95	150P10	KK2-15095	HCPK4	C
150	70	90P10	KK2-15070	HCPK4	C
185	185	200P10	KK2-185185	HCPK4	C
185	150	200P10	KK2-185150	HCPK4	C
185	120	200P10	KK2-185120	HCPK4	C
185	95	150P10	KK2-128595	HCPK4	C
240	240	2 x 150P10	KK2-240240	HCPK4	C
240	185	200P10	KK2-240185	HCPK4	C
240	150	200P10	KK2-240150	HCPK4	C
240	120	200P10	KK2-240120	HCPK4	C
300	300	2 x 200P10	KK2-300300	HCPK5	D
300	240	2 x 200P10	KK2-300240	HCPK5	D
300	185	250P10	KK2-300185	HCPK4	C





## KK4 - Kablodan Kabloya / Cable to Cable

mm <sup>2</sup> iletken Conductor	mm <sup>2</sup> iletken Conductor	Kaynak Tozu Ord. No. Welding Powder	Pota / Mould Ord. No.	Pota Pensesi Ord. No. Handle Clamp	Pota Tipi Mould Type
(A)	(B)				
16	16	65P10	KK4-1616	HCPK4	C
25	25	45P10	KK4-2525	HCPK4	C
35	35	65P10	KK4-3535	HCPK4	C
35	25	65P10	KK4-3525	HCPK4	C
8mmØ	8mmØ	90P10	KK4-88SC	HCPK4	C
50	50	90P10	KK4-5050	HCPK4	C
50	35	90P10	KK4-5035	HCPK4	C
50	25	90P10	KK4-5025	HCPK4	C
10mmØ	10mmØ	115P10	KK4-1010SC	HCPK4	C
70	70	115P10	KK4-7070	HCPK4	C
70	50	115P10	KK4-7050	HCPK4	C
70	35	115P10	KK4-7035	HCPK4	C
70	25	115P10	KK4-7025	HCPK4	C
95	95	150P10	KK4-9595	HCPK4	C
95	70	150P10	KK4-9570	HCPK4	C
95	50	115P10	KK4-9550	HCPK4	C
95	35	115P10	KK4-9535	HCPK4	C
120	120	200P10	KK4-120120	HCPK4	C
120	95	200P10	KK4-12095	HCPK4	C
120	70	150P10	KK4-12070	HCPK4	C
120	50	150P10	KK4-12050	HCPK4	C
150	150	250P10	KK4-150150	HCPK4	C
150	120	250P10	KK4-150120	HCPK4	C
150	95	200P10	KK4-15095	HCPK4	C
150	70	150P10	KK4-15070	HCPK4	C
185	185	2 x 150P10	KK4-185185	HCPK4	C
185	150	250P10	KK4-185150	HCPK4	C
185	120	250P10	KK4-185120	HCPK4	C
185	95	200P10	KK4-18595	HCPK4	C
185	70	200P10	KK4-18570	HCPK4	C
240	240	2 x 250P10	KK4-240240	HCPK5	D
240	185	2 x 200P10	KK4-240185	HCPK5	D
240	150	2 x 200P10	KK4-240150	HCPK5	D
240	120	2 x 150P10	KK4-240120	HCPK5	D

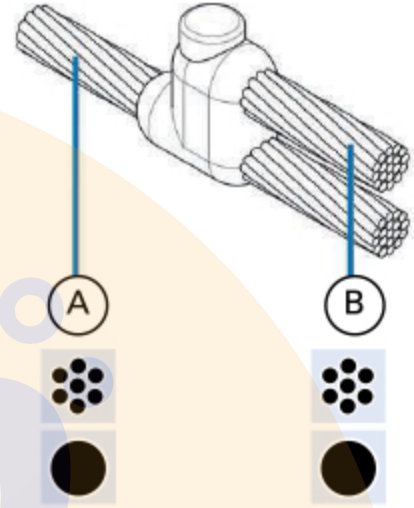






**KK6 - Kablodan Kabloya / Cable to Cable**

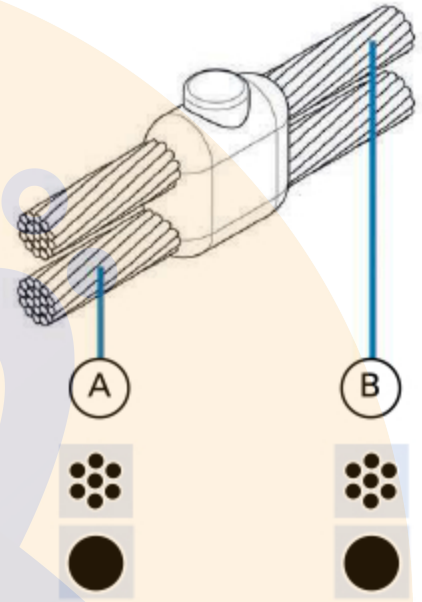
mm <sup>2</sup> iletken Conductor (A)	mm <sup>2</sup> iletken Conductor (B)	Kaynak Tozu Ord. No. Welding Powder	Pota / Mould Ord. No.	Pota Pensesi Ord. No. Handle Clamp	Pota Tipi Mould Type
16	16	65P10	KK6-1616	HCPK4	C
25	25	45P10	KK6-2525	HCPK4	C
35	35	65P10	KK6-3535	HCPK4	C
35	25	65P10	KK6-3525	HCPK4	C
50	50	90P10	KK6-5050	HCPK4	C
50	35	65P10	KK6-5035	HCPK4	C
50	25	65P10	KK6-5025	HCPK4	C
70	70	115P10	KK6-7070	HCPK4	C
70	50	115P10	KK6-7050	HCPK4	C
70	35	90P10	KK6-7035	HCPK4	C
70	25	90P10	KK6-7025	HCPK4	C
95	95	150P10	KK6-9595	HCPK4	C
95	70	115P10	KK6-9570	HCPK4	C
95	50	115P10	KK6-9550	HCPK4	C
95	35	115P10	KK6-9535	HCPK4	C
120	120	200P10	KK6-120120	HCPK4	C
120	95	200P10	KK6-12095	HCPK4	C
120	70	150P10	KK6-12070	HCPK4	C
120	50	115P10	KK6-12050	HCPK4	C





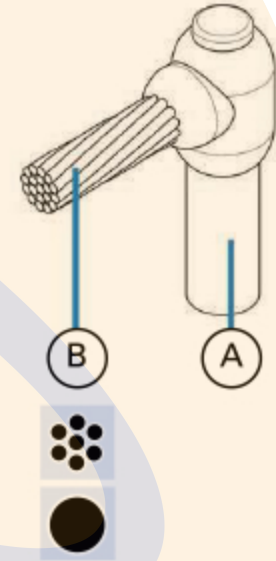
## KK7 - Kablodan Kabloya / Cable to Cable

mm <sup>2</sup> iletken Conductor	mm <sup>2</sup> iletken Conductor	Kaynak Tozu Ord. No. Welding Powder	Pota / Mould Ord. No.	Pota Pensesi Ord. No. Handle Clamp	Pota Tipi Mould Type
(A)	(B)				
16	16	65P10	KK7-1616	HCPK4	C
25	25	45P10	KK7-2525	HCPK4	C
35	35	65P10	KK7-3535	HCPK4	C
35	25	65P10	KK7-3525	HCPK4	C
8mmØ	8mmØ	90P10	KK7-88SC	HCPK4	C
50	50	90P10	KK7-5050	HCPK4	C
50	35	90P10	KK7-5035	HCPK4	C
50	25	65P10	KK7-5025	HCPK4	C
10mmØ	10mmØ	115P10	KK7-1010SC	HCPK4	C
70	70	115P10	KK7-7070	HCPK4	C
70	50	115P10	KK7-7050	HCPK4	C
70	35	90P10	KK7-7035	HCPK4	C
70	25	90P10	KK7-7025	HCPK4	C
95	95	150P10	KK7-9595	HCPK4	C
95	70	115P10	KK7-9570	HCPK4	C
95	50	115P10	KK7-9550	HCPK4	C
95	35	115P10	KK7-9535	HCPK4	C
120	120	200P10	KK7-120120	HCPK4	C
120	95	200P10	KK7-12095	HCPK4	C
120	70	150P10	KK7-12070	HCPK4	C
120	50	150P10	KK7-12050	HCPK4	C
150	150	2 x 150P10	KK7-150150	HCPK5	C
150	120	250P10	KK7-150120	HCPK4	D
150	95	200P10	KK7-15095	HCPK4	D
150	70	150P10	KK7-15070	HCPK4	D
185	185	2 x 150P10	KK7-185185	HCPK5	D
185	150	2 x 150P10	KK7-185150	HCPK5	D
185	120	250P10	KK7-185120	HCPK4	D
185	95	200P10	KK7-18595	HCPK4	D
240	240	2 x 200P10	KK7-240240	HCPK5	D
240	185	2 x 150P10	KK7-240185	HCPK5	D
240	150	2 x 150P10	KK7-240150	HCPK5	D
240	120	250P10	KK7-240120	HCPK4	D
300	300	2 x 250P10	KK7-300300	HCPK5	D
300	240	2 x 250P10	KK7-300240	HCPK5	D
300	185	2 x 200P10	KK7-300185	HCPK5	D
300	150	2 x 150P10	KK7-300150	HCPK5	D



**KE1 - Kablo dan Topraklama Elektroduna / Cable to Earth Rod**

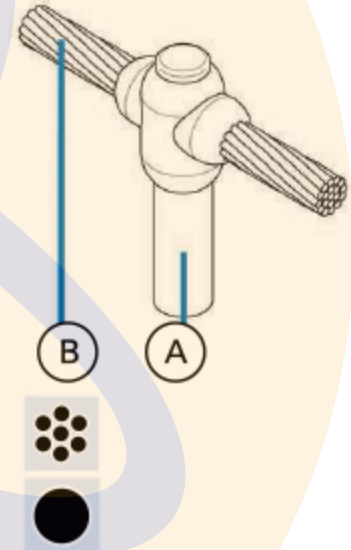
mmxmm İletken Conductor	mm <sup>2</sup> İletken Conductor	Kaynak Tozu Ord. No. Welding Powder	Pota / Mould Ord. No.	Pota Pensesi Ord. No. Handle Clamp	Pota Tipi Mould Type
(A)	(B)				
16	16	65P10	KE1-1616	HCPK4	C
16	25	65P10	KE1-1625	HCPK4	C
16	35	65P10	KE1-1635	HCPK4	C
16	35	90P10	KE1-1650	HCPK4	C
16	8mmØ	90P10	KE1-168SC	HCPK4	C
16	70	90P10	KE1-1670	HCPK4	C
16	95	90P10	KE1-1695	HCPK4	C
16	120	90P10	KE1-16120	HCPK4	C
16	150	115P10	KE1-16150	HCPK4	C
16	185	115P10	KE1-1685	HCPK4	C
16	240	150P10	KE1-16240	HCPK4	C
18	16	90P10	KE1-1816	HCPK4	C
18	25	90P10	KE1-1825	HCPK4	C
18	35	90P10	KE1-1835	HCPK4	C
18	50	90P10	KE1-1850	HCPK4	C
18	8mmØ	90P10	KE1-188SC	HCPK4	C
18	70	115P10	KE1-1870	HCPK4	C
18	95	115P10	KE1-1895	HCPK4	C
18	120	150P10	KE1-18120	HCPK4	C
18	150	200P10	KE1-18150	HCPK4	C
18	185	200P10	KE1-1885	HCPK4	C
18	240	250P10	KE1-18240	HCPK4	C
20	16	90P10	KE1-20016	HCPK4	C
20	25	90P10	KE1-2025	HCPK4	C
20	35	90P10	KE1-2035	HCPK4	C
20	50	115P10	KE1-20250	HCPK4	C
20	8mmØ	115P10	KE1-208SC	HCPK4	C
20	70	115P10	KE1-2070	HCPK4	C
20	95	115P10	KE1-2095	HCPK4	C
20	120	150P10	KE1-20120	HCPK4	C
20	150	200P10	KE1-20150	HCPK4	C
20	185	200P10	KE1-20185	HCPK4	C
20	240	250P10	KE1-20240	HCPK4	C
20	300	2 x 150P10	KE1-20300	HCPK5	C





## KE2 - Kablodan Topraklama Elektroduna / Cable to Earth Rod

mm <sup>2</sup> İletken Conductor (A)	mm <sup>2</sup> İletken Conductor (B)	Kaynak Tozu Ord. No. Welding Powder	Pota / Mould Ord. No.	Pota Pensesi Ord. No. Handle Clamp	Pota Tipi Mould Type
16	16	65P10	KE2-1616	HCPK4	C
16	25	65P10	KE2-1625	HCPK4	C
16	35	65P10	KE2-1635	HCPK4	C
16	50	90P10	KE2-1650	HCPK4	C
16	8mmØ	90P10	KE2-168SC	HCPK4	C
16	70	90P10	KE2-1670	HCPK4	C
16	95	90P10	KE2-1695	HCPK4	C
16	120	90P10	KE2-16120	HCPK4	C
16	150	115P10	KE2-16150	HCPK4	C
16	185	115P10	KE2-1685	HCPK4	C
16	240	150P10	KE2-16240	HCPK4	C
18	16	90P10	KE2-1816	HCPK4	C
18	25	90P10	KE2-1825	HCPK4	C
18	35	90P10	KE2-1835	HCPK4	C
18	50	90P10	KE2-1850	HCPK4	C
18	8mmØ	90P10	KE2-188SC	HCPK4	C
18	70	115P10	KE2-1870	HCPK4	C
18	95	115P10	KE2-1895	HCPK4	C
18	120	150P10	KE2-18120	HCPK4	C
18	150	200P10	KE2-18150	HCPK4	C
18	185	200P10	KE2-1885	HCPK4	C
18	240	250P10	KE2-18240	HCPK4	C
20	16	90P10	KE2-20016	HCPK4	C
20	25	90P10	KE2-2025	HCPK4	C
20	35	90P10	KE2-2035	HCPK4	C
20	50	115P10	KE2-20250	HCPK4	C
20	8mmØ	115P10	KE2-208SC	HCPK4	C
20	70	115P10	KE2-2070	HCPK4	C
20	95	115P10	KE2-2095	HCPK4	C
20	120	150P10	KE2-20120	HCPK4	C
20	150	200P10	KE2-20150	HCPK4	C
20	185	200P10	KE2-20185	HCPK4	C
20	240	250P10	KE2-20240	HCPK4	C
20	300	2 x 150P10	KE2-20300	HCPK5	C

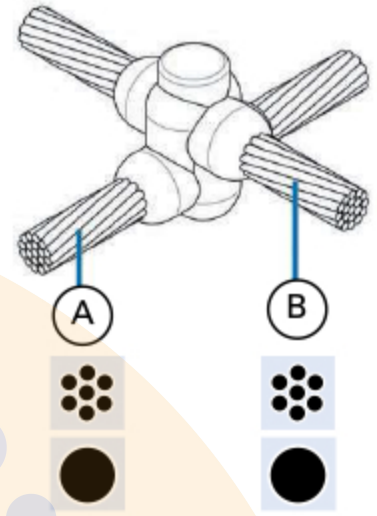






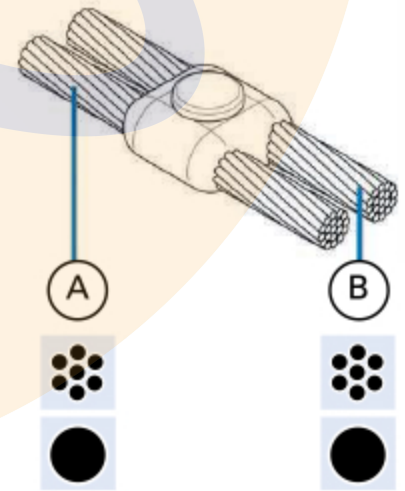
### KK11 - Kablodan Kabloya / Cable to Cable

mm <sup>2</sup> iletken Conductor <b>(A)</b>	mm <sup>2</sup> iletken Conductor <b>(B)</b>	Kaynak Tozu Ord. No. Welding Powder 	Pota / Mould Ord. No. 	Pota Pensesi Ord. No. Handle Clamp 	Pota Tipi Mould Type 
50	50	150P10	KK11-5050	HCPK7	C
70	70	200P10	KK11-7070	HCPK7	C
95	95	250P10	KK11-9595	HCPK7	C
120	120	2 x 150P10	KK11-120120	HCPK7	C
150	150	2 x 200P10	KK11-150150	HCPK8	C
185	185	2 x 250P10	KK11-185185	HCPK8	C
240	240	2 x 250P10	KK11-240240	HCPK8	C
8mmØ	8mmØ	150P10	KK11-8SC8SC	HCPK4	C
10mmØ	10mmØ	150P10	KK11-1010SC	HCPK4	C



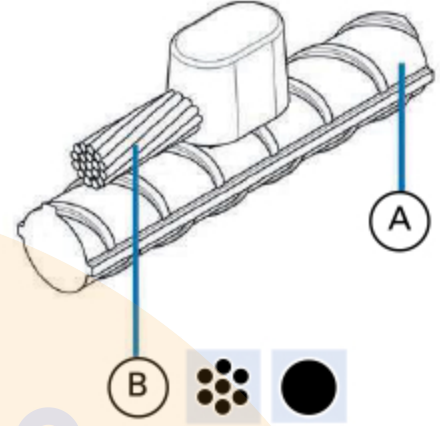
### KK14 - Kablodan Kabloya / Cable to Cable

mm <sup>2</sup> iletken Conductor <b>(A)</b>	mm <sup>2</sup> iletken Conductor <b>(B)</b>	Kaynak Tozu Ord. No. Welding Powder 	Pota / Mould Ord. No. 	Pota Pensesi Ord. No. Handle Clamp 	Pota Tipi Mould Type 
16	16	65P10	KK14-1616	HCPK4	C
25	25	45P10	KK14-2525	HCPK4	C
35	35	65P10	KK14-3535	HCPK4	C
35	35	65P10	KK14-3525	HCPK4	C
8mmØ	8mmØ	90P10	KK14-88SC	HCPK4	C
50	50	90P10	KK14-5050	HCPK4	C
50	35	90P10	KK14-5035	HCPK4	C
10mmØ	25	90P10	KK14-5025	HCPK4	C
50	10mmØ	115P10	KK14-1010SC	HCPK4	C
70	70	115P10	KK14-7070	HCPK4	C
70	50	115P10	KK14-7050	HCPK4	C
70	35	90P10	KK14-7035	HCPK4	C
70	25	90P10	KK14-7025	HCPK4	C
95	95	150P10	KK14-9595	HCPK4	C
95	70	150P10	KK14-9570	HCPK4	C
95	50	150P10	KK14-9550	HCPK4	C
95	35	115P10	KK14-9535	HCPK4	C
120	120	200P10	KK14-120120	HCPK4	C
120	95	200P10	KK14-12095	HCPK4	C
120	70	200P10	KK14-12070	HCPK4	C
120	50	150P10	KK14-12050	HCPK4	C

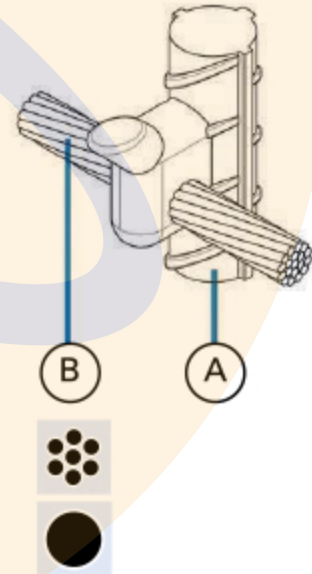


**KD1 - Kablodan İnşaat Demirine / Cable to Reinforcing Bar**

mm Ø İletken Conductor (A)	mm <sup>2</sup> İletken Conductor (B)	Kaynak Tozu Ord. No. Welding Powder	Pota / Mould Ord. No.	Pota Pensesi Ord. No. Handle Clamp	Pota Tipi Mould Type
10 - 40	16	45P10	KD1-16	HCPK3	C
10 - 40	25	45P10	KD1-25	HCPK3	C
10 - 40	35	45P10	KD1-35	HCPK3	C
10 - 40	8mmØ	90P10	KD1-8SC	HCPK3	C
10 - 40	50	90P10	KD1-50	HCPK3	C
10 - 40	10mmØ	90P10	KD1-10SC	HCPK3	C
10 - 40	70	90P10	KD1-70	HCPK3	C
10 - 40	95	90P10	KD1-95	HCPK3	C
10 - 40	120	90P10	KD1-120	HCPK3	C

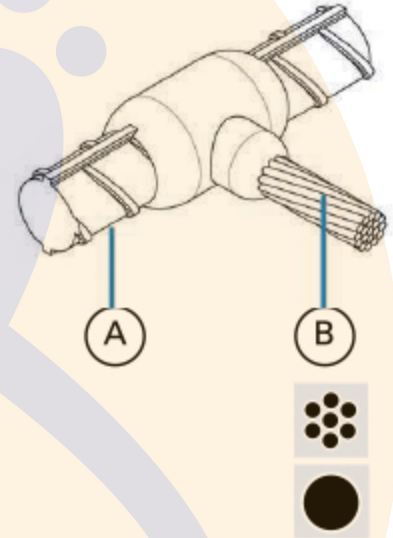
**KD3 - Kablodan İnşaat Demirine / Cable to Reinforcing Bar**

mm Ø İletken Conductor (A)	mm <sup>2</sup> İletken Conductor (B)	Kaynak Tozu Ord. No. Welding Powder	Pota / Mould Ord. No.	Pota Pensesi Ord. No. Handle Clamp	Pota Tipi Mould Type
10 - 40	16	45P10	KD3-6	HCPK3-A	E
10 - 40	25	45P10	KD3-25	HCPK3-A	E
10 - 40	35	45P10	KD3-35	HCPK3-A	E
10 - 40	10mmØ	90P10	KD3-8SC	HCPK3-A	E
10 - 40	8mmØ	90P10	KD3-50	HCPK3-A	E
10 - 40	50	90P10	KD3-10SC	HCPK3-A	E
10 - 40	70	90P10	KD3-70	HCPK3-A	E
10 - 40	95	90P10	KD3-95	HCPK3-A	E
10 - 40	120	90P10	KD3-120	HCPK3-A	E



## KD2 - Kablodan İnşaat Demirine / Cable to Reinforcing Bar

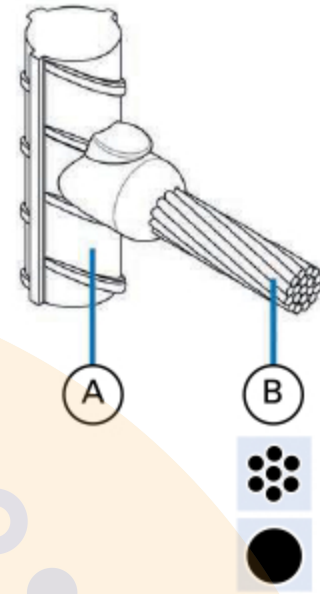
mm <sup>2</sup> İletken Conductor <b>(A)</b>	mm <sup>2</sup> İletken Conductor <b>(B)</b>	Kaynak Tozu Ord. No. Welding Powder 	Pota / Mould Ord. No. 	Pota Pensesi Ord. No. Handle Clamp 	Pota Tipi Mould Type 
16	16	90P10	KD2-16R16	HCPK4	C
16	25	90P10	KD2-16R25	HCPK4	C
16	35	90P10	KD2-16R35	HCPK4	C
16	8mmØ	115P10	KD2-16R8SC	HCPK4	C
16	50	115P10	KD2-16R50	HCPK4	C
16	10mmØ	115P10	KD2-16R10SC	HCPK4	C
16	70	115P10	KD2-16R70	HCPK4	C
16	95	150P10	KD2-16R95	HCPK4	C
16	120	150P10	KD2-16R120	HCPK4	C
16	150	200P10	KD2-16R150	HCPK4	C
16	185	200P10	KD2-16R185	HCPK4	C
16	16	115P10	KD2-18R16	HCPK4	C
18	25	115P10	KD2-18R25	HCPK4	C
18	35	115P10	KD2-18R35	HCPK4	C
18	8mmØ	150P10	KD2-18R8SC	HCPK4	C
18	50	150P10	KD2-18R50	HCPK4	C
18	10mmØ	150P10	KD2-18R10SC	HCPK4	C
18	70	150P10	KD2-18R70	HCPK4	C
18	95	150P10	KD2-18R95	HCPK4	C
18	120	200P10	KD2-18R120	HCPK4	C
18	150	200P10	KD2-18R150	HCPK4	C
18	185	200P10	KD2-18R185	HCPK4	C
20	16	115P10	KD2-20R16	HCPK4	C
20	25	115P10	KD2-20R25	HCPK4	C
20	35	115P10	KD2-20R35	HCPK4	C
20	8mmØ	150P10	KD2-20R8SC	HCPK4	C
20	50	150P10	KD2-20R50	HCPK4	C
20	10mmØ	150P10	KD2-20R10SC	HCPK4	C
20	70	150P10	KD2-20R70	HCPK4	C
20	95	200P10	KD2-20R95	HCPK4	C
20	120	200P10	KD2-20R120	HCPK4	C
20	150	200P10	KD2-20R150	HCPK4	C
20	185	250P10	KD2-20R185	HCPK4	C
25	16	200P10	KD2-25R16	HCPK4	C
25	25	200P10	KD2-25R25	HCPK4	C
25	35	200P10	KD2-25R35	HCPK4	C
25	8mmØ	200P10	KD2-25R8SC	HCPK4	C
25	50	200P10	KD2-25R50	HCPK4	C
25	10mmØ	250P10	KD2-25R10SC	HCPK4	C
25	70	250P10	KD2-25R70	HCPK4	C
25	95	250P10	KD2-25R95	HCPK4	C
25	120	250P10	KD2-25R120	HCPK4	C
25	150	2 x 150P10	KD2-25R150	HCPK4	C
25	185	2 x 150P10	KD2-25R185	HCPK4	C
30	16	250P10	KD2-30R16	HCPK4	C
30	25	250P10	KD2-30R25	HCPK4	C
30	35	250P10	KD2-30R35	HCPK4	C
30	8mmØ	2 x 150P10	KD2-30R8SC	HCPK4	C
30	50	2 x 150P10	KD2-30R50	HCPK4	C
30	10mmØ	2 x 150P10	KD2-30R10SC	HCPK4	C
30	70	2 x 150P10	KD2-30R70	HCPK4	C
30	95	2 x 150P10	KD2-30R95	HCPK4	C
30	120	2 x 200P10	KD2-30R120	HCPK4	C
30	150	2 x 200P10	KD2-30R150	HCPK4	C
30	185	2 x 250P10	KD2-30R185	HCPK4	C



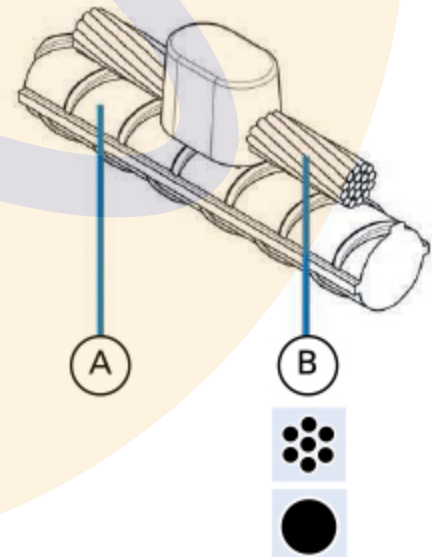


**KD6 - Kablodan İnşaat Demirine / Cable to Reinforcing Bar**

mm $\phi$ İletken Conductor <b>(A)</b>	mm <sup>2</sup> İletken Conductor <b>(B)</b>	Kaynak Tozu Ord. No. Welding Powder 	Pota / Mould Ord. No. 	Pota Pensesi Ord. No. Handle Clamp 	Pota Tipi Mould Type 
10 - 40	16	45P10	KD6-16	HCPK3-A	C
10 - 40	25	45P10	KD6-25	HCPK3-A	C
10 - 40	35	45P10	KD6-35	HCPK3-A	C
10 - 40	8mm $\phi$	65P10	KD6-8SC	HCPK3-A	C
10 - 40	50	65P10	KD6-50	HCPK3-A	C
10 - 40	10mm $\phi$	90P10	KD6-10SC	HCPK3-A	C
10 - 40	70	90P10	KD6-70	HCPK3-A	C
10 - 40	95	90P10	KD6-95	HCPK3-A	C
10 - 40	120	90P10	KD6-120	HCPK3-A	C

**KD17 - Kablodan İnşaat Demirine / Cable to Reinforcing Bar**

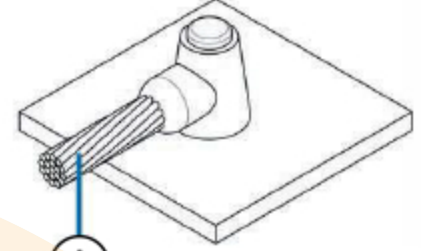
mm $\phi$ İletken Conductor <b>(A)</b>	mm <sup>2</sup> İletken Conductor <b>(B)</b>	Kaynak Tozu Ord. No. Welding Powder 	Pota / Mould Ord. No. 	Pota Pensesi Ord. No. Handle Clamp 	Pota Tipi Mould Type 
10 - 40	16*	45P10	KD17-16	HCPK3-B	Z
10 - 40	25	45P10	KD17-25	HCPK3-B	Z
10 - 40	35	45P10	KD17-35	HCPK3-B	Z
10 - 40	8mm $\phi$	90P10	KD17-8SC	HCPK3-B	Z
10 - 40	50	90P10	KD17-50	HCPK3-B	Z
10 - 40	10mm $\phi$	90P10	KD17-10SC	HCPK3-B	Z
10 - 40	70	90P10	KD17-70	HCPK3-B	Z
10 - 40	95	90P10	KD17-95	HCPK3-B	Z
10 - 40	120	90P10	KD17-120	HCPK3-B	Z





## KY1 - Kablodan Çelik Yüzeve veya Boruya / Cable to Steel Surface or Pipe

mm <sup>2</sup> İletken Conductor	Kaynak Tozu Ord. No. Welding Powder	Pota / Mould Ord. No.	Pota Pensesi Ord. No. Handle Clamp	Pota Tipi Mould Type
(A)				
16	45P10	KY1-16	HCPK2	A
25	45P10	KY1-25	HCPK2	A
35	45P10	KY1-35	HCPK2	A
8mmØ	90P10	KY1-8SC	HCPK4	A
50	90P10	KY1-50	HCPK4	A
10mmØ	90P10	KY1-10SC	HCPK4	A
70	90P10	KY1-70	HCPK4	A
95	115P10	KY1-95	HCPK4	A
120	115P10	KY1-120	HCPK4	A
150	150P10	KY1-150	HCPK4	A
185	200P10	KY1-P185	HCPK4	A
240	200P10	KY1-240	HCPK4	A
300	250P10	KY1-300	HCPK4	A

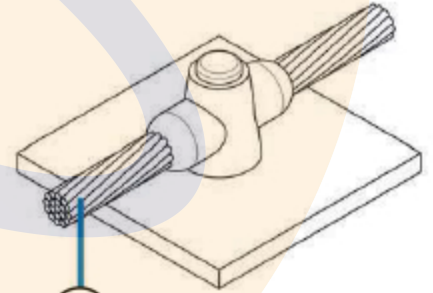


(A)



## KY2 - Kablodan Çelik Yüzeve veya Boruya / Cable to Steel Surface or Pipe

mm <sup>2</sup> İletken Conductor	Kaynak Tozu Ord. No. Welding Powder	Pota / Mould Ord. No.	Pota Pensesi Ord. No. Handle Clamp	Pota Tipi Mould Type
(A)				
16	45P10	KY2-16	HCPK2	A
25	45P10	KY2-5	HCPK2	A
35	45P10	KY2-35	HCPK2	A
8mmØ	90P10	KY2-8SC	HCPK4	A
50	90P10	KY2-10SC KY2-50	HCPK4	A
10mmØ	115P10	KY2-70	HCPK4	A
70	115P10	KY2-95	HCPK4	A
95	115P10	KY2-120	HCPK4	A
120	150P10	KY2-150	HCPK4	A
150	200P10	KY2-185	HCPK4	A
185	250P10	KY2-240	HCPK5	A
240	2 x 150P10	KY2-300	HCPK5	A
300	2 x 200P10			A

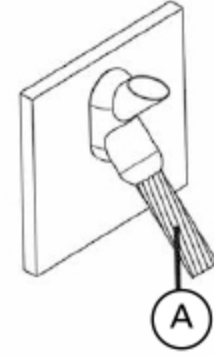


(A)

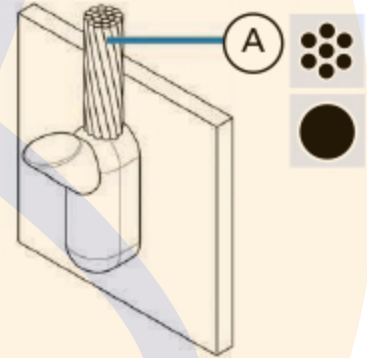


**KY3 - Kablodan Dikey Çelik Yüzeğe veya Boruya / Cable to Vertical Steel Surface or Pipe**

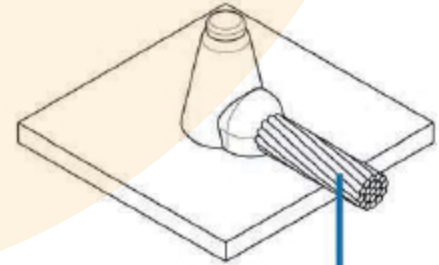
mm <sup>2</sup> İletken Conductor	Kaynak Tozu Ord. No. Welding Powder	Pota / Mould Ord. No.	Pota Pensesi Ord. No. Handle Clamp	Pota Tipi Mould Type
(A)				
16	45P10	KY3-16	HCPK4	C
25	45P10	KY3-25	HCPK4	C
35	45P10	KY3-35	HCPK4	C
8mmØ	65P10	KY3-8SC	HCPK4	C
50	65P10	KY3-50	HCPK4	C
10mmØ	90P10	KY3-10SC	HCPK4	C
70	90P10	KY3-70	HCPK4	C
95	115P10	KY3-95	HCPK4	C
120	115P10	KY3-120	HCPK4	C
150	115P10	KY3-150	HCPK4	C
185	200P10	KY3-185	HCPK4	C
240	200P10	KY3-240	HCPK4	C
300	250P10	KY3-300	HCPK4	C

**KY7 - Kablodan Çelik Yüzeğe veya Boruya / Cable to Steel Surface or Pipe**

mm <sup>2</sup> İletken Conductor	Kaynak Tozu Ord. No. Welding Powder	Pota / Mould Ord. No.	Pota Pensesi Ord. No. Handle Clamp	Pota Tipi Mould Type
(A)				
16	65P10	KY7-16	HCPK4	C
25	65P10	KY7-25	HCPK4	C
35	65P10	KY7-35	HCPK4	C
8mmØ	90P10	KY7-8SC	HCPK4	C
50	90P10	KY7-50	HCPK4	C
10mmØ	150P10	KY7-10SC	HCPK4	R
70	150P10	KY7-70	HCPK4	R
95	200P10	KY7-95	HCPK4	R
120	200P10	KY7-120	HCPK4	R
150	250P10	KY7-150	HCPK4	R
185	2 x 150P10	KY7-185	HCPK4	R
240	2 x 150P10	KY7-240	HCPK4	R
300	2 x 200P10	KY7-300	HCPK5	R

**KY8 - Kablodan Yatay Çelik Yüzeğe veya Boruya / Cable to Horizontal Steel Surface or Pipe**

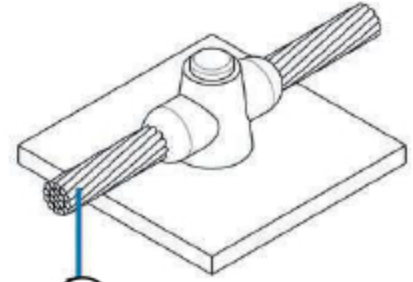
mm <sup>2</sup> İletken Conductor	Kaynak Tozu Ord. No. Welding Powder	Pota / Mould Ord. No.	Pota Pensesi Ord. No. Handle Clamp	Pota Tipi Mould Type
(A)				
16	45P10	KY8-16	HCPK2	A
25	45P10	KY8-25	HCPK2	A
35	45P10	KY8-35	HCPK2	A
8mmØ	45P10	KY8-8SC	HCPK2	A
50	45P10	KY8-50	HCPK2	A
10mmØ	65P10	KY8-10SC	HCPK2	A
70	65P10	KY8-70	HCPK2	A
95	90P10	KY8-95	HCPK2	A
120	115P10	KY8-120	HCPK4	A
150	150P10	KY8-150	HCPK4	A
185	200P10	KY8-185	HCPK4	A
240	200P10	KY8-240	HCPK4	A
300	250P10	KY8-300	HCPK4	A





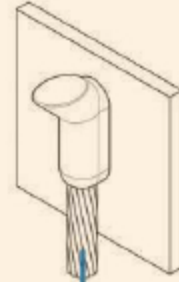
**KY9 - Kablodan Yatay Çelik Yüzeve veya Boruya / Cable to Horizontal Steel Surface or Pipe**

mm <sup>2</sup> İletken Conductor	Kaynak Tozu Ord. No. Welding Powder	Pota / Mould Ord. No.	Pota Pensesi Ord. No. Handle Clamp	Pota Tipi Mould Type
(A)				
16	45P10	KY9-16	HCPK4	C
25	45P10	KY9-25	HCPK4	C
35	45P10	KY9-35	HCPK4	C
8mmØ	90P10	KY9-8SC	HCPK4	C
50	90P10	KY9-50	HCPK4	C
10mmØ	115P10	KY9-10SC	HCPK4	C
70	115P10	KY9-70	HCPK4	C
95	115P10	KY9-95	HCPK4	C
120	150P10	KY9-120	HCPK4	C
150	200P10	KY9-150	HCPK4	C
185	250P10	KY9-185	HCPK4	C
240	250P10	KY9-240	HCPK4	C



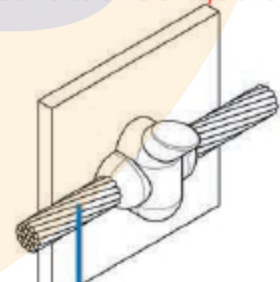
**KY25 - Kablodan Çelik Yüzeve veya Boruya / Cable to Steel Surface or Pipe**

mm <sup>2</sup> İletken Conductor	Kaynak Tozu Ord. No. Welding Powder	Pota / Mould Ord. No.	Pota Pensesi Ord. No. Handle Clamp	Pota Tipi Mould Type
(A)				
16	45P10	KY25-16	HCPK4	C
25	45P10	KY25-25	HCPK4	C
35	45P10	KY25-35	HCPK4	C
8mmØ	65P10	KY25-8SC	HCPK4	C
50	65P10	KY25-50	HCPK4	C
10mmØ	90P10	KY25-10SC	HCPK4	C
70	90P10	KY25-70	HCPK4	C
95	115P10	KY25-95	HCPK4	C
120	115P10	KY25-120	HCPK4	C
150	150P10	KY25-150	HCPK4	C
185	200P10	KY25-185	HCPK4	C
240	200P10	KY25-240	HCPK4	C
300	250P10	KY25-300	HCPK5	C



**KY27 - Kablodan Dikey Çelik Yüzeve veya Boruya / Cable to Vertical Steel Surface or Pipe**

mm <sup>2</sup> İletken Conductor	Kaynak Tozu Ord. No. Welding Powder	Pota / Mould Ord. No.	Pota Pensesi Ord. No. Handle Clamp	Pota Tipi Mould Type
(A)				
16	45P10	KY27-16	HCPK4	C
25	45P10	KY27-25	HCPK4	C
35	45P10	KY27-35	HCPK4	C
8mmØ	65P10	KY27-8SC	HCPK4	C
50	65P10	KY27-50	HCPK4	C
10mmØ	115P10	KY27-10SC	HCPK4	C
70	115P10	KY27-70	HCPK4	C
95	150P10	KY27-95	HCPK4	C
120	150P10	KY27-120	HCPK4	C
150	200P10	KY27-150	HCPK5	C
185	250P10	KY27-185	HCPK4	C
240	2 x 150P10	KY27-240	HCPK4	C
300	2 x 200P10	KY27-300	HCPK5	C

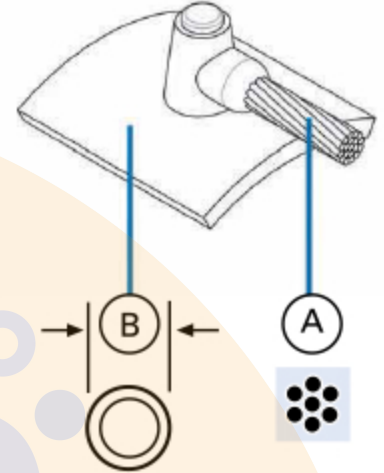






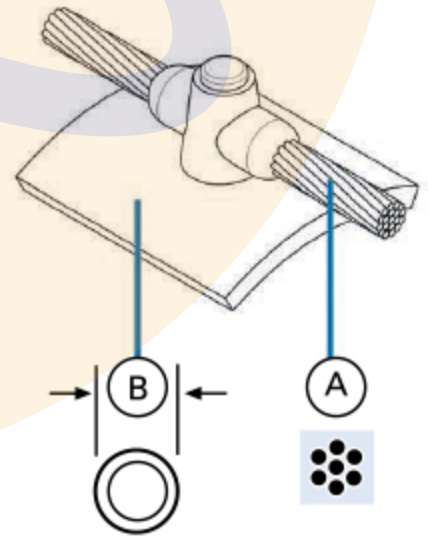
### KY32 - Kablodan Çelik Yüzeve veya Boruya / Cable to Steel Surface or Pipe

mm <sup>2</sup> İletken Conductor	mmxmm İletken Conductor	Kaynak Tozu Ord. No. Welding Powder	Pota / Mould Ord. No.	Pota Pensesi Ord. No. Handle Clamp	Pota Tipi Mould Type
(A)	(B)				
2.5	<125	15P10	KY32-2.5-A	HCPK1	A
2.5	>125	15P10	KY32-2.5-B	HCPK1	A
4	<125	15P10	KY32-4-A	HCPK1	A
4	>125	15P10	KY32-4-B	HCPK1	A
6	<125	15P10	KY32-6-A	HCPK1	A
6	>125	15P10	KY32-6-B	HCPK1	A
10	<125	25P10	KY32-10-A	HCPK1	A
10	>125	25P10	KY32-10-B	HCPK1	A
16	<125	45P10	KY32-16-A	HCPK2	A
16	>125	45P10	KY32-16-B	HCPK2	A
25	<70	25P10	KY32-25-C	HCPK1	A
25	70-165	25P10	KY32-25-D	HCPK1	A
25	>165	25P10	KY32-25-E	HCPK1	A
35	<70	45P10	KY32-35-C	HCPK2	A
35	70-165	45P10	KY32-35-D	HCPK2	A
35	165-250	45P10	KY32-35-F	HCPK2	A
35	>250	45P10	KY32-35-G	HCPK2	A
50	<70	45P10	KY32-50-C	HCPK2	A
50	70-165	45P10	KY32-50-D	HCPK2	A
50	165-250	45P10	KY32-50-F	HCPK2	A
50	>250	45P10	KY32-50-G	HCPK2	A
70	<70	65P10	KY32-70-C	HCPK2	A
70	70-165	65P10	KY32-70-D	HCPK2	A
70	165-250	65P10	KY32-70-F	HCPK2	A
70	>250	65P10	KY32-70-G	HCPK2	A



### KY34 - Kablodan Çelik Yüzeve veya Boruya / Cable to Steel Surface or Pipe

mm <sup>2</sup> İletken Conductor	mmxmm İletken Conductor	Kaynak Tozu Ord. No. Welding Powder	Pota / Mould Ord. No.	Pota Pensesi Ord. No. Handle Clamp	Pota Tipi Mould Type
(A)	(B)				
2.5	<125	15P10	KY34-2.5-A	HCPK2	A
2.5	>125	15P10	KY34-2.5-B	HCPK2	A
4	<125	15P10	KY34-4-A	HCPK2	A
4	>125	15P10	KY34-4-B	HCPK2	A
6	<125	15P10	KY34-6-A	HCPK2	A
6	>125	15P10	KY34-6-B	HCPK2	A
10	<125	32P10	KY34-10-A	HCPK2	A
10	>125	32P10	KY34-10-B	HCPK2	A
16	<125	45P10	KY34-16-A	HCPK2	A
16	>125	45P10	KY34-16-B	HCPK2	A
25	<70	32P10	KY34-25-C	HCPK2	A
25	70-165	32P10	KY34-25-D	HCPK2	A
25	>165	32P10	KY34-25-E	HCPK2	A
35	<70	45P10	KY34-35-C	HCPK2	A
35	70-165	45P10	KY34-35-D	HCPK2	A
35	165-250	45P10	KY34-35-F	HCPK2	A
35	>250	45P10	KY34-35-G	HCPK2	A
50	<70	65P10	KY34-50-C	HCPK2	A
50	70-165	65P10	KY34-50-D	HCPK2	A
50	165-250	65P10	KY34-50-F	HCPK2	A
50	>250	65P10	KY34-50-G	HCPK2	A

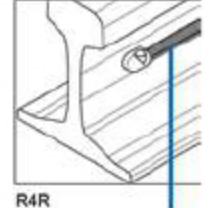
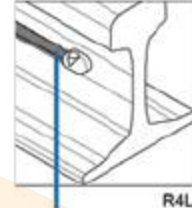






### R4L-R4R Kablodan Raya / Cable to Rail

mm <sup>2</sup> İletken Conductor	Kaynak Tozu Ord. No. Welding Powder	Pota / Mould Ord. No.	Pota Pensesi Ord. No. Handle Clamp	Pota Tipi Mould Type
(A)				
16	45P10	R4L-16	HCR1	C
16	45P10	R4R-16	HCR1	C
25	45P10	R4L-25	HCR1	C
25	45P10	R4R-25	HCR1	C
35	45P10	R4L-35	HCR1	C
35	45P10	R4R-35	HCR1	C
50	65P10	R4L-50	HCR1	C
50	75P10	R4R-50	HCR1	C
70	75P10	R4L-70	HCR1	C
70	75P10	R4R-70	HCR1	C
95	75P10	R4L-95	HCR1	T
95	115P10	R4R-95	HCR1	T
120	115P10	R4L-120	HCR1	T
120	115P10	R4R-120	HCR1	T
150	150P10	R4L-150	HCR1	T
150	150P10	R4R-150	HCR1	T



(A)

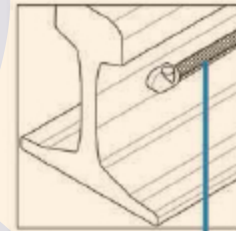


(A)



### R5 - Kablodan Raya / Cable to Rail

mm <sup>2</sup> İletken Conductor	Kaynak Tozu Ord. No. Welding Powder	Pota / Mould Ord. No.	Pota Pensesi Ord. No. Handle Clamp	Pota Tipi Mould Type
(A)				
16	25P10	R5-16	HCPK2	A
25	25P10	R5-25	HCPK2	A
35	32P10	R5-35	HCPK2	A
50	45P10	R5-50	HCPK2	A
70	65P10	R5-70	HCPK2	A
95	65P10	R5-95	HCPK2	A
120	90P10	R5-120	HCPK2	A
150	115P10	R5-150	HCPK2	A



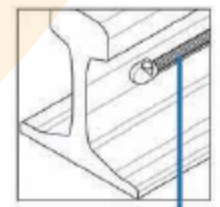
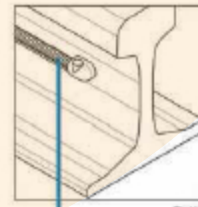
R4R

(A)



### R10L-R10R Kablodan Raya / Cable to Rail

mm <sup>2</sup> İletken Conductor	Kaynak Tozu Ord. No. Welding Powder	Pota / Mould Ord. No.	Pota Pensesi Ord. No. Handle Clamp	Pota Tipi Mould Type
(A)				
16	25P10	R10L-16	HCPK2	A
16	25P10	R10R-16	HCPK2	A
25	25P10	R10L-25	HCPK2	A
25	25P10	R10R-25	HCPK2	A
35	32P10	R10L-35	HCPK2	A
35	32P10	R10R-35	HCPK2	A
50	45P10	R10L-50	HCPK2	A
50	45P10	R10R-50	HCPK2	A
70	65P10	R10L-70	HCPK2	A
70	65P10	R10R-70	HCPK2	A
95	65P10	R10L-95	HCPK2	A
95	65P10	R10R-95	HCPK2	A
120	90P10	R10L-120	HCPK2	A
120	90P10	R10R-120	HCPK2	A
150	115P10	R10L-150	HCPK2	A
150	115P10	R10R-150	HCPK2	A



(A)



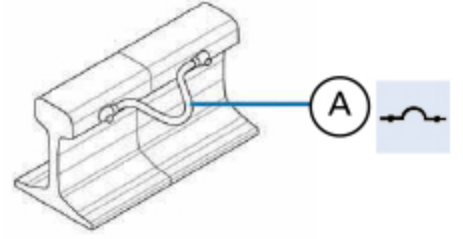
(A)





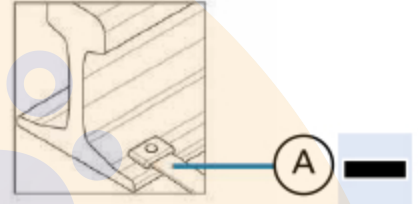
### R12 - Kablodan Raya / Cable To Rail

mm <sup>2</sup> İletken Conductor	Kaynak Tozu Ord. No. Welding Powder	Pota / Mould Ord. No.	Pota Pensesi Ord. No. Handle Clamp	Pota Tipi Mould Type
(A)				
25	32P10	R12-25	HCR2	C
35	32P10	R12-35	HCR2	C
50	45P10	R12-50	HCR2	C
70	65P10	R12-70	HCR2	C
95	75P10	R12-95	HCR2	C
120	115P10	R12-120	HCR2	C



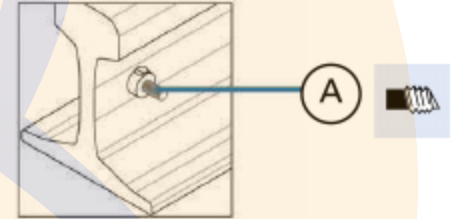
### R6 - Baradan Raya / Bar To Rail

mmxmm İletken Conductor	Kaynak Tozu Ord. No. Welding Powder	Pota / Mould Ord. No.	Pota Pensesi Ord. No. Handle Clamp	Pota Tipi Mould Type
(A)				
25 x 3	65P10	R6-3-253	HCPK2	A



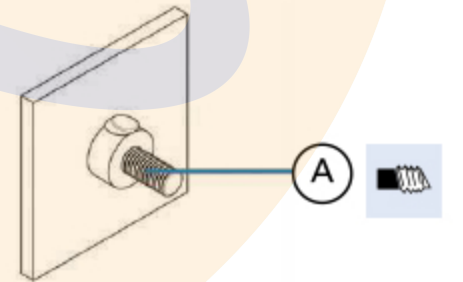
### R8 - Civatadan Raya / Stud To Rail

mmxmm İletken Conductor	Kaynak Tozu Ord. No. Welding Powder	Pota / Mould Ord. No.	Pota Pensesi Ord. No. Handle Clamp	Pota Tipi Mould Type
(A)				
M6	45P10	R8-M6	HCPK4	C
M8	45P10	R8-M8	HCPK4	C
M10	65P10	R8-M10	HCPK4	C
M12	90P10	R8-M12	HCPK4	C
M16	115P10	R8-M16	HCPK4	C



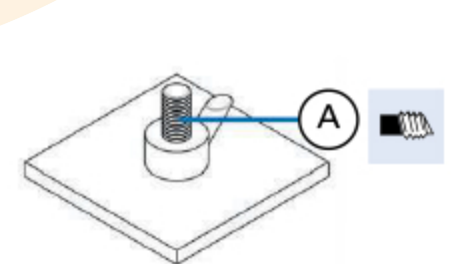
### CY1 - Civatadan Yüzeve / Stud To Surface

mmxmm İletken Conductor	Kaynak Tozu Ord. No. Welding Powder	Pota / Mould Ord. No.	Pota Pensesi Ord. No. Handle Clamp	Pota Tipi Mould Type
(A)				
M6	25P10	RS1-M6	HCPK4	Z
M8	32P10	RS1-M8	HCPK4	Z
M10	45P10	RS1-M10	HCPK4	Z
M12	65P10	RS1-M12	HCPK4	Z
M16	115P10	RS1-M16	HCPK4	Z



### CY2 - Civatadan Yüzeve / Stud To Surface

mmxmm İletken Conductor	Kaynak Tozu Ord. No. Welding Powder	Pota / Mould Ord. No.	Pota Pensesi Ord. No. Handle Clamp	Pota Tipi Mould Type
(A)				
M6	25P10	CM2-M6	HCPK4	A
M8	32P10	CM2-M8	HCPK4	A
M10	45P10	CM2-M10	HCPK4	A
M12	65P10	CM2-M12	HCPK4	A
M16	115P10	CM2-M16	HCPK5	A

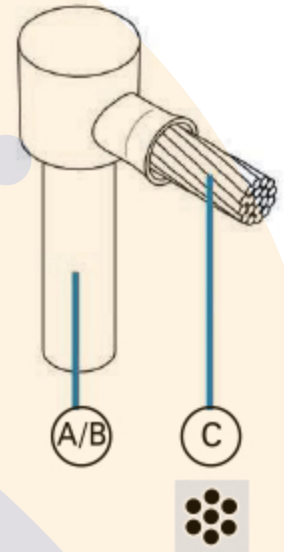


## Tek Kullanımlık Termokaynak Potası / SureShot



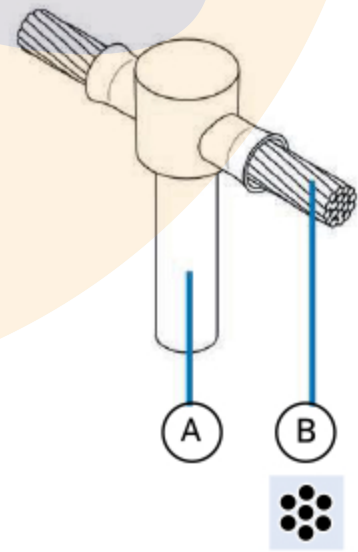
### TK1

mm Ø İletken Conductor (A)	mm <sup>2</sup> İletken Conductor (B)	Malzeme Material (Grafit/Graphite)	Pota Pensesi Ord. No. Handle Clamp	Pota Tipi Mould Type (TK)
14.2	16	Grafit/Graphite	TK1-14216	TK
14.2	25		TK1-14225	TK
14.2	35		TK1-14235	TK
14.2	50		TK1-14250	TK
14.2	70		TK1-14270	TK
14.2	95		TK1-14295	TK
17.2	16	Grafit/Graphite	TK1-17216	TK
17.2	25		TK1-17225	TK
17.2	35		TK1-17235	TK
17.2	50		TK1-17250	TK
17.2	70		TK1-17270	TK
17.2	95		TK1-17295	TK



### TK2

mm Ø İletken Conductor (A)	mm <sup>2</sup> İletken Conductor (B)	Malzeme Material (Grafit/Graphite)	Pota Pensesi Ord. No. Handle Clamp	Pota Tipi Mould Type (TK)
14.2	16	Grafit/Graphite	TK2-14216	TK
14.2	25		TK2-14225	TK
14.2	35		TK2-14235	TK
14.2	50		TK2-14250	TK
14.2	70		TK2-14270	TK
14.2	95		TK2-14295	TK
17.2	16	Grafit/Graphite	TK2-17216	TK
17.2	25		TK2-17225	TK
17.2	35		TK2-17235	TK
17.2	50		TK2-17250	TK
17.2	70		TK2-17270	TK
17.2	95		TK2-17295	TK






**Kaynak Tozu ( Furseweld)**  
**Welding Powder ( Furseweld)**

Ref No	Malzeme Material	Ağırlık Weight
NV-AE 46301	15 P10	0.015
NV-AE 46303	25 P10	0.025
NV-AE 46305	32 P10	0.032
NV-AE 46307	45 P10	0.045
NV-AE 46309	65 P10	0.065
NV-AE 46311	90 P10	0.090
NV-AE 46313	115 P10	0.115
NV-AE 46315	150 P10	0.150
NV-AE 46317	200 P10	0.200
NV-AE 46319	250 P10	0.250
NV-AE 46321	500 P10	0.500


**Kaynak Tozu ( Forweld)**  
**Welding Powder ( Forweld)**

Ref No	Malzeme Material	Ağırlık Weight
NV-AE 46351	15 P10	0.015
NV-AE 46352	25 P10	0.025
NV-AE 46353	32 P10	0.032
NV-AE 46354	45 P10	0.045
NV-AE 46355	65 P10	0.065
NV-AE 46356	90 P10	0.090
NV-AE 46357	115 P10	0.115
NV-AE 46358	150 P10	0.150
NV-AE 46359	200 P10	0.200
NV-AE 46360	250 P10	0.250


**Turuncu Kutu - Katodik Koruma - Dökme Demir Boru**  
**Orange Cap - Cathodic Protection - Cast Iron Pipe**

Ref No	Malzeme Material	Ağırlık Weight
NV-AE 46603	25 XF19	0.025
NV-AE 46605	32 XF19	0.032
NV-AE 46607	45 XF19	0.045
NV-AE 46609	65 XF19	0.065
NV-AE 46611	90 XF19	0.090
NV-AE 46613	115 XF19	0.115





### Termokaynak Potası / Welding Mould

Ref No	Malzeme Material	Pota Tipi Mould Type	Ağırlık Weight
NV-AE 46701	Grafit/Graphite	A	2.500
NV-AE 46702		B	2.500
NV-AE 46703		C	2.500
NV-AE 46704		D	2.500
NV-AE 46705		E	2.500
NV-AE 46706		F	2.500
NV-AE 46707		G	2.500
NV-AE 46708		H	2.500
NV-AE 46709		I	2.500
NV-AE 46710		J	2.500
NV-AE 46715		R	2.500
NV-AE 46718		Z	2.500



### Termokaynak Çakmağı / Flint Gun

Ref No	Malzeme Material	Ağırlık Weight
NV-AE 46760	Pota Tipi Çakmak / Flint Gun	0.220




### Pota Macunu / Mould Putty

Ref No	Malzeme Material	Ağırlık Weight
NV-AE 46770	Sızıntı Önleyici Macun Leakage Prevent Putty	0.454

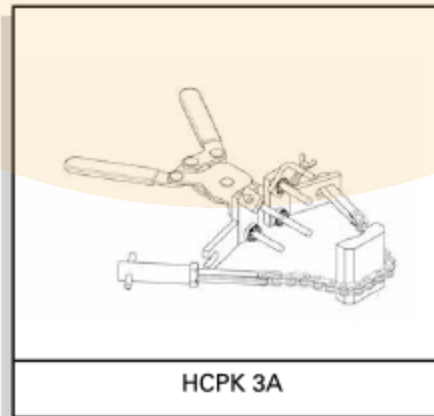
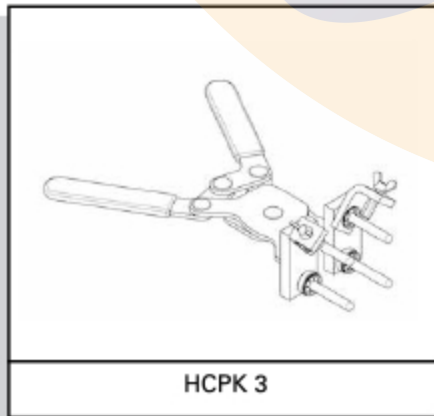



**Termokaynak Pensesi / Mould Piler (Handle Clamp)**

Ref No	Cadweld	Furseweld	Ağırlık Weight kg
NV-AE 46801	L-159	HCPK 5	1.000
NV-AE 46803	L-160	HCPK 4	1.000
NV-AE 46805	L-161	HCPK1-2	1.000
NV-AE 46807	L161A	HCPK 3A	1.200
NV-AE 46809	SMK-21	HCPK4+F1	1.000
NV-AE 46811	L-160+M32	HCPK4+F2	1.000
NV-AE 46813	L-160+M48	HCPK 1	1.000
NV-AE 46815	M-125	HCPK 2	1.000
NV-AE 46817	M-129	HCPK 2	1.000



HCPK 2



**Pota Kazıyıcısı / Mould Cleaning Scraper**

Ref No 	Malzeme Material 	Tip Type	Ağırlık Weight 
NV-AE 46841		TP 2A	0.144
NV-AE 46843		TP 3A	0.144
NV-AE 46845		TP 4A	0.172
NV-AE 46847	Galvaniz Çelik Galvanized Steel	TP 5A	0.116
NV-AE 46849		TP 6A	0.126
NV-AE 46851		TP 7A	0.132
NV-AE 46853		TP7 SP	0.145

**Kablo Temizleme Fırçası / Cable Cleaning Brush**

Ref No 	Malzeme Material 	Ağırlık Weight 
NV-AE 46870	Kablo Tipi Fırça Cable Type Brush	0,375



**Pota Temizleme Fırçası / Mould Cleaning Brush**

Ref No	Malzeme Material	Ağırlık Weight
NV-AE 46880	Pota Tipi Fırça Mould Type Brush	0,070

**Şerit İletken Temizleme Fırçası / Tape Cleaning Brush**

Ref No	Malzeme Material	Ağırlık Weight
NV-AE 46890	Şerit İletken Tipi Fırça Tape Type Brush	0,380

**İletken Temizleyici-Oksit Çözücü / Oxidation Solvent - 27**

Ref No	Malzeme Material	Ağırlık Weight
NV-AE 46901	Termokaynak Öncesi Temizleyici Solvent Marine-Before Making the Connection	0,700

**İletken Korozyon Önleyici / Prevent Reoxidation**

Ref No	Malzeme Material	Ağırlık Weight
NV-AE 46911	Air Dry Flux-T327-Alüminyum Bağlantılar İçin Air Dry Flux-T327 For Aluminium Connections	0,400
NV-AE 46915	Regal-VT 358 - Galvaniz İletkenler İçin Regal-VT 358 - For Galvanized Conductors	0,375

